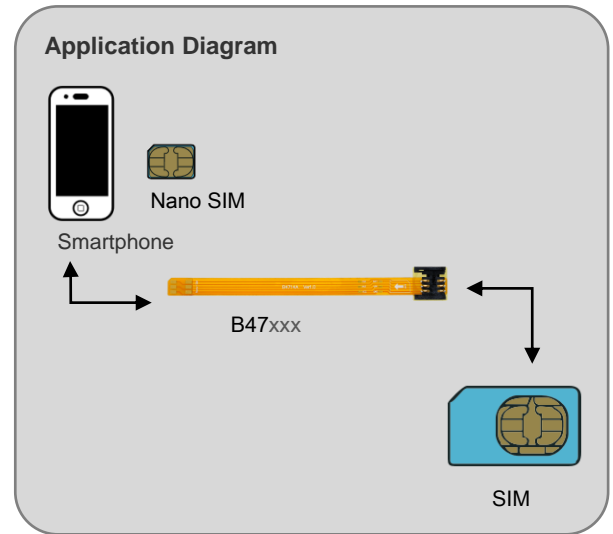


B47xxx Series

Nano SIM to SIM Extender

Product > Extender Board > B47xxx Series



First Impression

B47xxx Series Nano SIM to SIM card Extender is a debug and test tool. Design the FPC cable for flexible use.

It allows for SIM Card to be extended from the host slot for Nano SIM interface. The especially designed is to save valuable labor and time in production environment.

SIM extender is designed to minimize the signal degradation effects of the extender by proven design techniques.

B47xxx Series is a powerful tool for engineers and mobile phone nano SIM test protection.

