

PROPRIETARY AND CONFIDENTIAL

THE INFORMATION CONTAINED IN THIS DRAWING IS THE SOLE PROPERTY OF BPLUS TECHNOLOGY CO., LTD. ANY REPRODUCTION IN PART OR AS A WHOLE WITHOUT THE WRITTEN PERMISSION OF BPLUS TECHNOLOGY CO., LTD. IS PROHIBITED

部件/Part

材料/Material

鍍鋅/Galvanization

SIM thickness^①

SIM 卡托/SIM card slot

ABS

無/None

SIM Card Size ^②	Length (mm) ^②	Width (mm) ^②	Thickness (mm) ^②	Real Thickness (mm) ^②
SIM (2FF) ^②	25.00 ^②	15.00 ^②	0.76 ^②	0.80 ^②
Micro-SIM (3FF) ^②	15.00 ^②	12.00 ^②	0.76 ^②	0.75 ^②
Nano-SIM (4FF) ^②	12.30 ^②	8.80 ^②	0.67 ^②	0.70 ^②

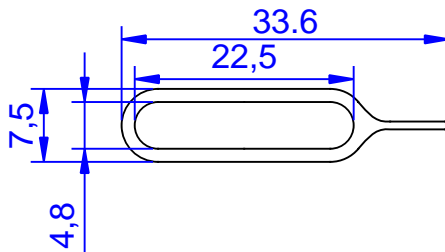
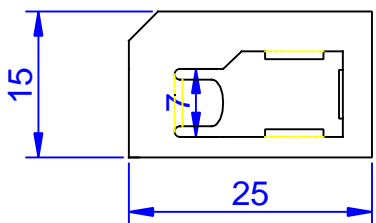
SIM 卡針/Sim card Needle

鋼板/steel

有/Yes

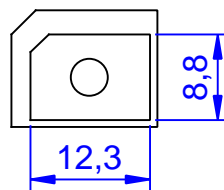
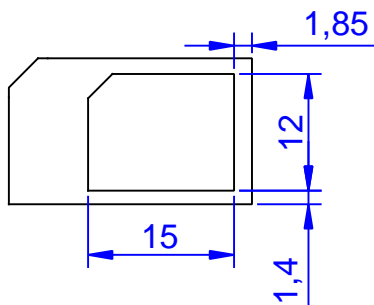
Nano SIM to normal SIM card tray

SIM 卡針/Sim card Needle



Micro SIM to normal SIM card tray

Nano SIM to Micro SIM card tray



APPROVED:	- TOLERANCES -		UNIT: mm	TITLE : CT21A	SHEET 1/1
ENGINEER:	General	Angles	SCALE: 1:1	DRAWING NUMBER: 001	SIZE A4
CHECKED:	30~ ±0.5	0° ±3°			Date 2014/12/3
DRAWN: Sky	10~30 ±0.3	0.0° ±2°		Bplus Technology Co., Ltd.	
	5~10 ±0.2				
	0-5 ±0.10				