

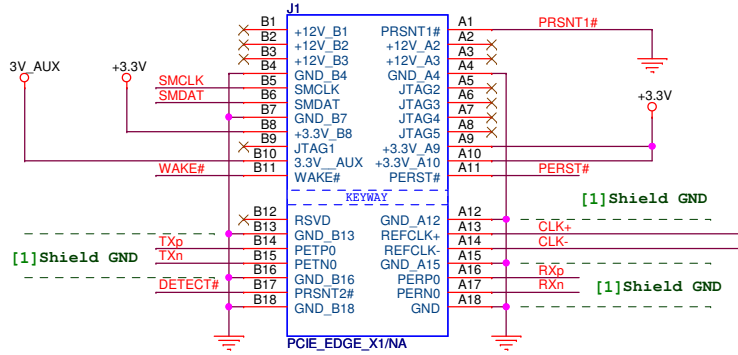
# Model: HP1A

## PCIe add-in card passive adapter

Schematic update note:

First released HP1.....2009/Jan/18th V1.0

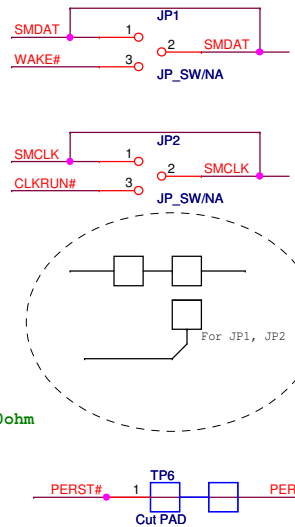
Second released HP1A.....2009/Sep/18th V1.1



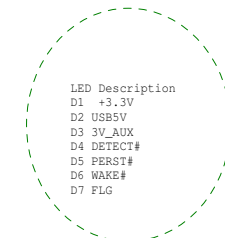
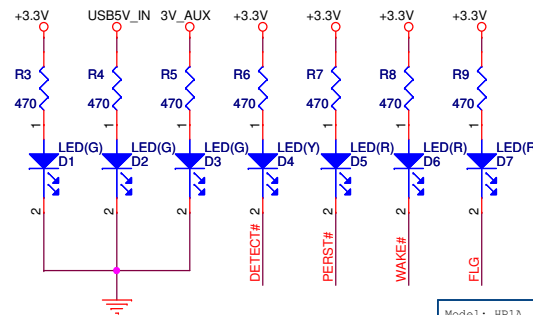
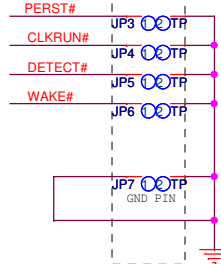
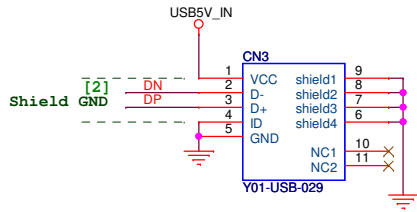
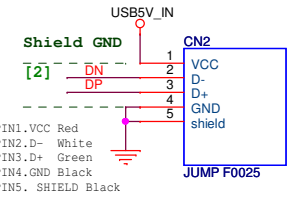
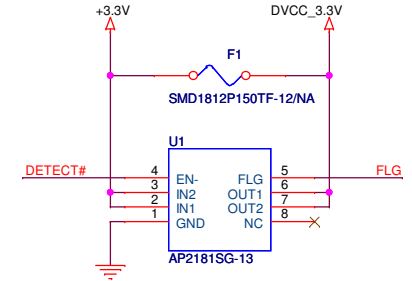
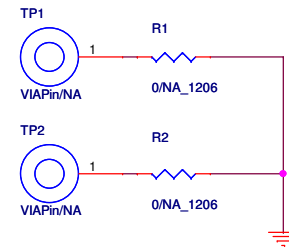
PCI-E Signals: Differential Pairs 100 ohm

[1] Impedance control required for CLK+ CLK- PETXP PETXN PERXP PERXN : 100ohm

[2] Impedance control required for DP DN : 90ohm



MINI HDMI conn



Model: HP1A		
Title PCIe add-in card passive adapter		Design by Gerry Chen
Size B	Document Number PCI-E Add-in Card	Bplus technology Co., Ltd.
Date:	Friday, September 04, 2009	Rev 1.1
Sheet 1 of 1		