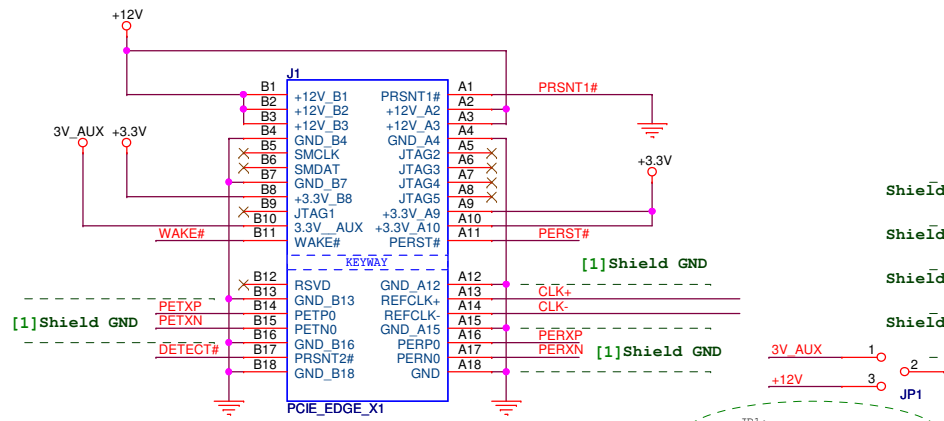


PCI-E passive add-in card adapter

Reference Schematic Rev. 1.0

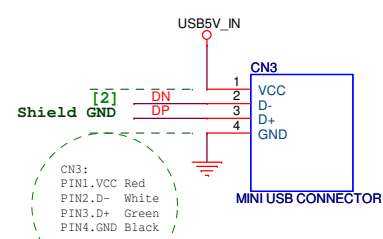
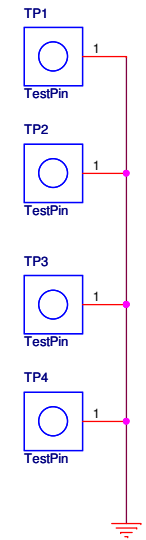
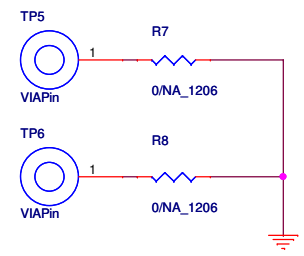
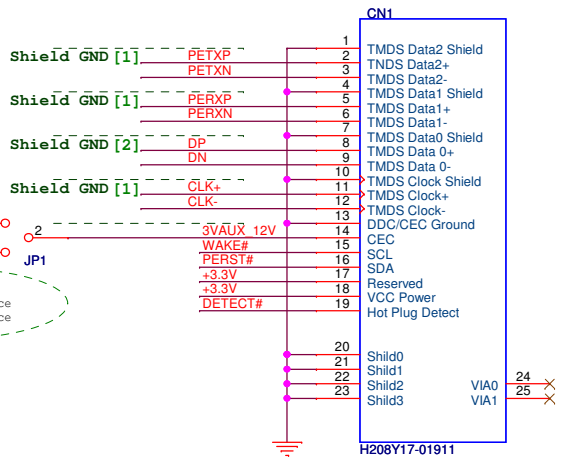
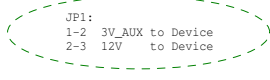
Schematic update note:

First released.....2009/Jan/18th V1.0

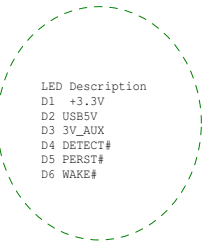
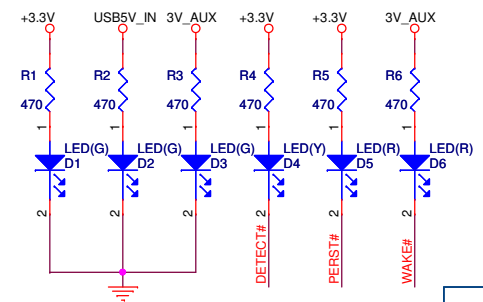
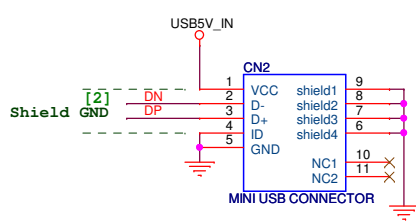


PCI-E Signals: Differential Pairs 100 ohm

- [1] Impedance control required for CLK+ CLK- PETXP PETXN PERXP PERXN : 100ohm
- [2] Impedance control required for DP DN : 90ohm



- CN3:
- PIN1.VCC Red
- PIN2.D- White
- PIN3.D+ Green
- PIN4.GND Black



Title		
PCI-E to Mini PCIe Adapter		
Size	Document Number	Rev
B	PCI-E Add-in Card	1.0
Date:	Wednesday, June 03, 2009	Sheet 1 of 1