

KZ-B21 (Flexible x1 PCI Express Extender)

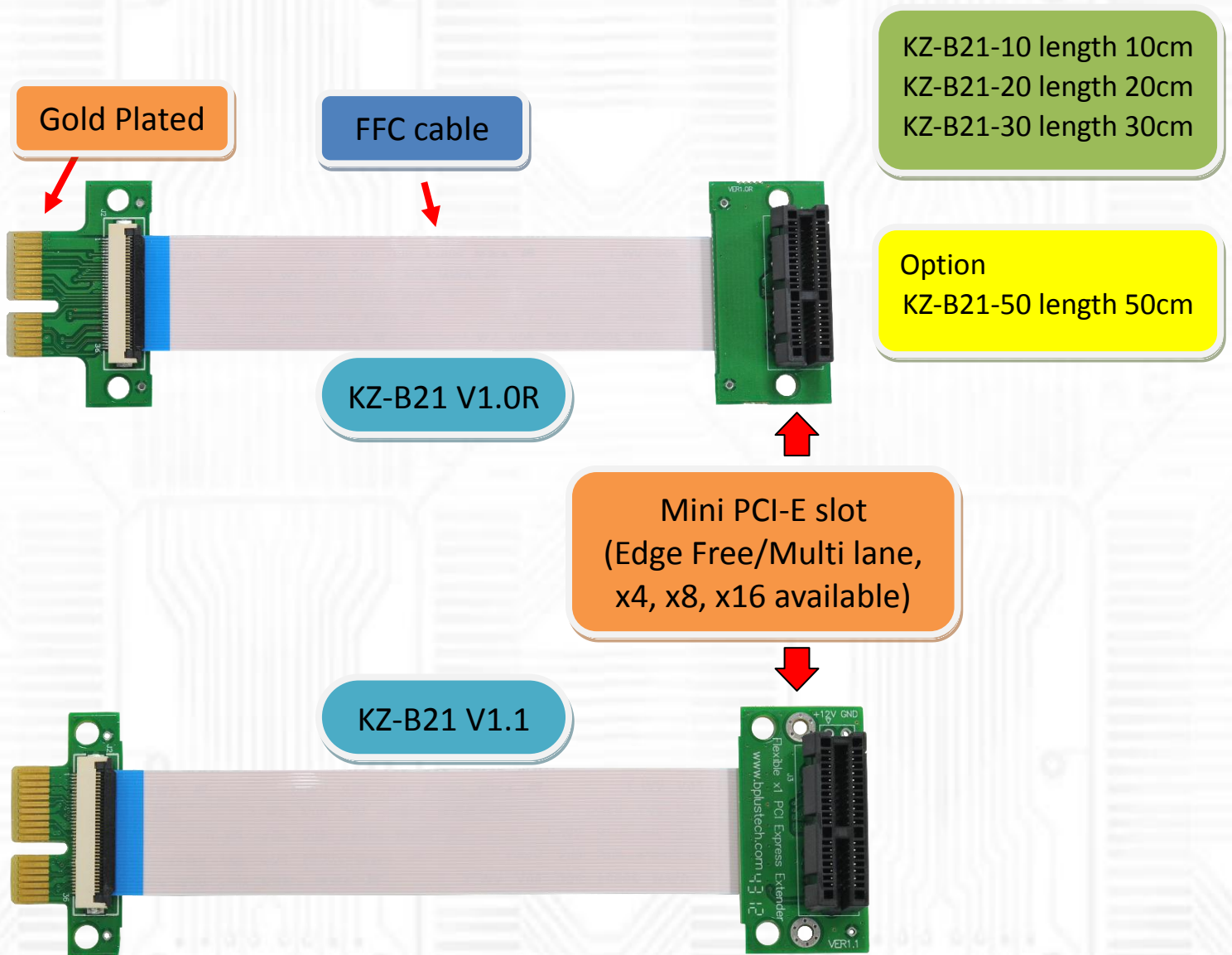
Introduction:

KZ-B21 PCI Express Extender is a debug and test tool. Design the FFC (Flat Flexible Cable) cable for flexible use.

As PCI Express x1 connector is edge-free / multi-lane, x4, x8 and x16 PCIe Cards are also available.

The PCI-Extender is designed to minimize the signal degradation effects of the extender by proven design techniques.

It's also a powerful tool for engineers, or use for PCI-E test protection.



As a New manufacturer of quality computer connectivity products since 2009/Mar, BPLUS technology brings to market a broad range of upgrade products. These products bridge the connection between Desktop/Notebook systems and external peripherals.



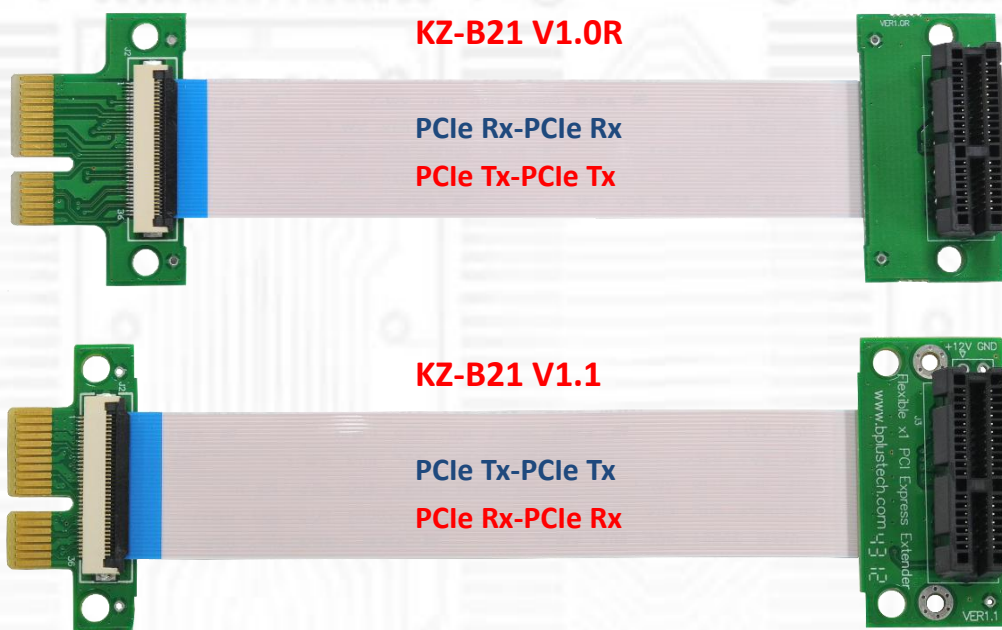
Professional I/O adapter provider

Bplus Technology Co., Ltd.

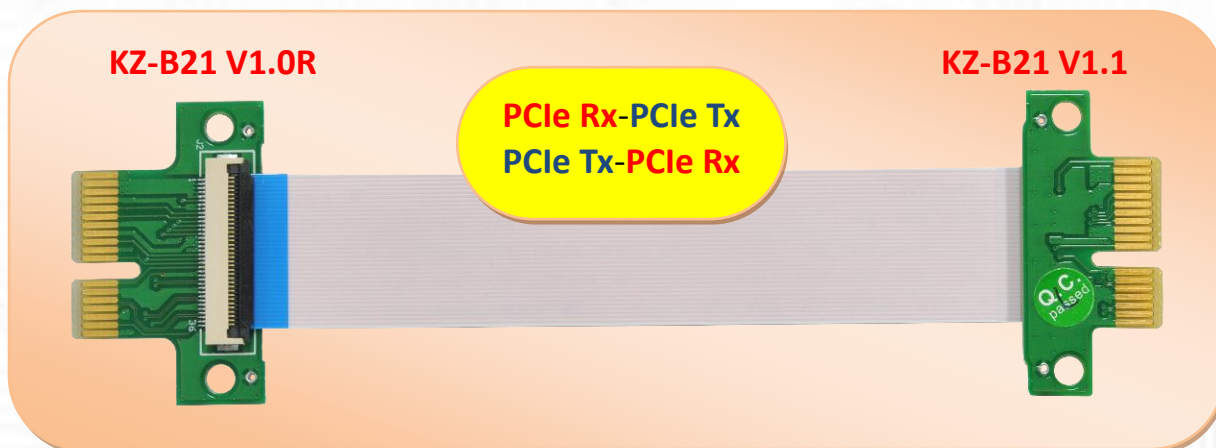
Address: 9F-1, NO.88, ZHOU-TZYY ST.,
NEI-HU, TAIPEI, TAIWAN, R.O.C
TEL: +886-2-7736-0128
FAX: +886-2-7736-0126
Email: sales@bplus.com.tw
http://www.Bplus.com.tw

Application

The PCIe Tx and Rx signal is reverse between KZ-B21 V1.0R and KZ-B21 V1.1.



Application 1. PCIe 1X to PCIe 1X Extender:



Application 2. PCIe slot (Edge Free) to PCIe Slot (Edge Free) Extender:



As a New manufacturer of quality computer connectivity products since 2009/Mar, BPLUS technology brings to market a broad range of upgrade products. These products bridge the connection between Desktop/Notebook systems and external peripherals.



Professional I/O adapter provider

Bplus Technology Co., Ltd.

Address: 9F-1, NO. 88, ZHOU-TZYY ST.,
NEI-HU, TAIPEI, TAIWAN, R.O.C
TEL: +886-2-7736-0128
FAX: +886-2-7736-0126
Email: sales@bplus.com.tw
<http://www.Bplus.com.tw>