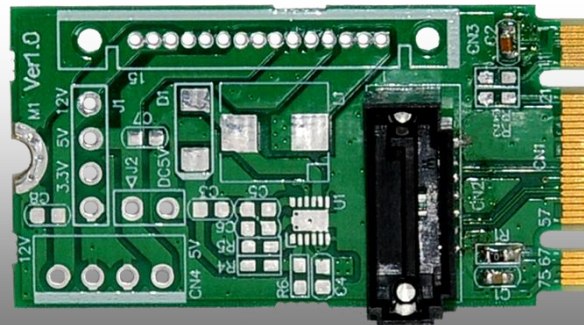


M2S-C

SATA to M.2-Socket2-B+M-2242-SATA adapter

Product >SATA interface>M2S-C

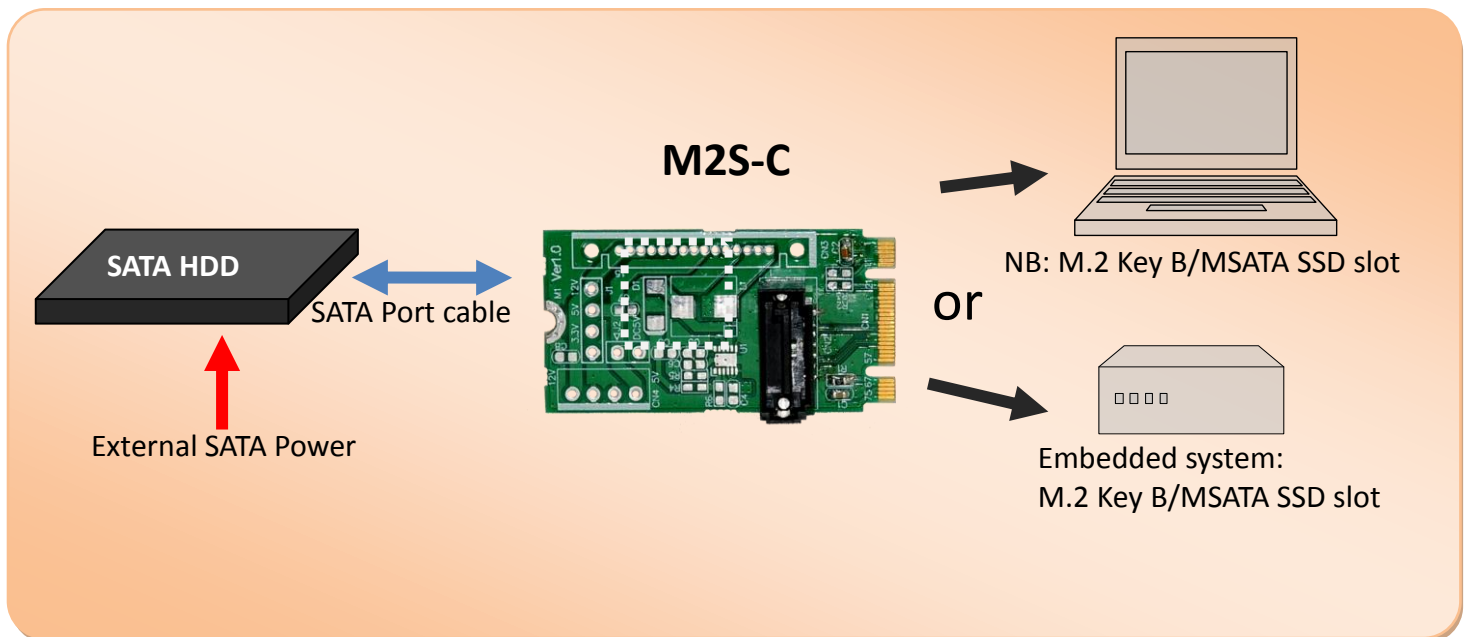


First Impression

M2S-C is SATA adapter from M.2 Socket 2. This module allows you connect any SATA device to M.2 slot through a standard SATA port.

M2S supports M.2 socket 2 with TYPE 2242-D2-B-M of SATA SSD. SATA interface supports standard SATA 7pin data signals.

M2S-C is the best solution to evaluate M.2 SATA SSD socket.



Specifications

- Standard SATA interface adapter from M.2 Socket 2 slot for SATA SSD
- Compliant with PCIe M.2 Specification Rev 0.7
- Body Size: TYPE 2242-D2-B-M
- Module Key : B+M (Both Key B and Key M)
- Interface : Standard SATA 7pin Connector
- Compliant with Serial ATA Revision 3.1

OS Support:

- Transparent to the operating system and does not require any software drivers.

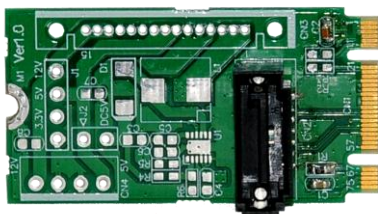
System Requirement:

- *Type 2242 M.2 Socket 2 with Key B or M for SATA*

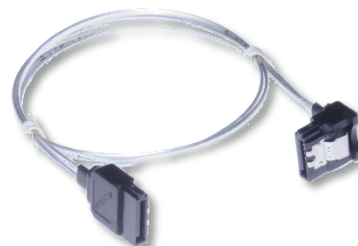
Notice:

- This adapter is engineering test tools. NOT for home or office use.
- Rev 0.7 Compliant. Specification may vary in newer revision.
- The Products just only support M.2 SATA slot, Can't support other SSD such as mSATA, Eee PC SSD, Apple MacBook air SSD Card.
- Support SATA interface only. No other interface (such as PCIe or USB) is supported.

M2S-CPackage Content



M2S-C
(SATA to M.2-Socket2-B+M-2242-SATA adapter) x1



SATA cable x1