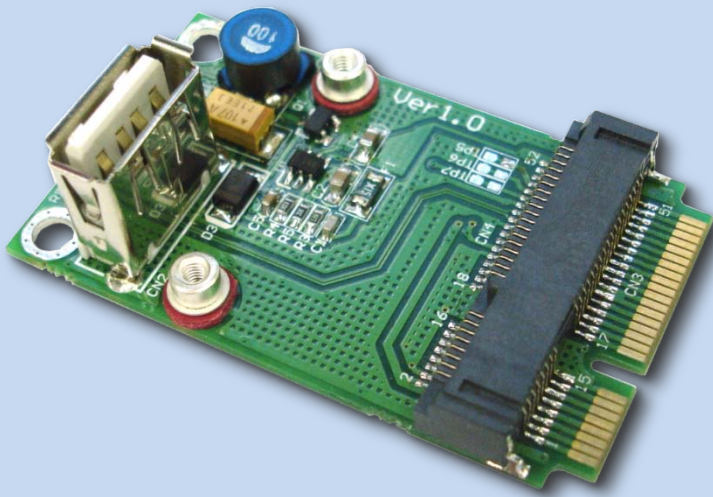


Half to Full minicard adapter

MM2U



The MM2U half to full mini card is a converter tool for minicard interface.

This module allows you to use your half mini card in the full mini card slot. And allows you plug a USB2.0 device to this adapter

It's especially designed to save valuable labor and time in the production environment.



Function:

- Supports half mini card to full size minicard slot
- Add PTC fuse protect your circuit.
- Add 3V to 5V, DC2DC circuit.
- Add USB 2.0 connector and 2.54mm pitch 5PIN USB 2.0 connector
- Add Power LED, Access LED
- High quality connectors for long service life

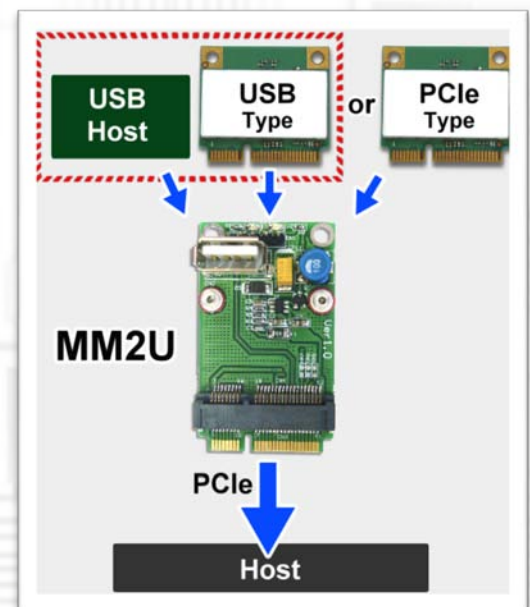
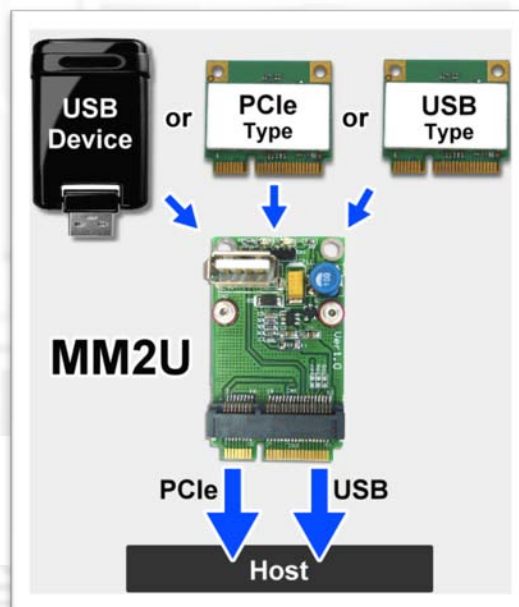


System Requirements:

- MiniCard full size slot

Dimension:

Width 30mm, Length 51mm,
PCB Thickness 1.0mm Max



As a New manufacturer of quality computer connectivity products since 2009/Mar, BPLUS technology brings to market a broad range of upgrade products. These products bridge the connection between Desktop/Notebook systems and external peripherals.



Address: 5F, NO. 63, ZHOU-TZYY
ST., NEI-HU, TAIPEI, TAIWAN, R.O.C
Tel: 886-2-77210550 Fax: 886-2-87974200
Email: sales@bplus.com.tw
http://www.bplus.com.tw