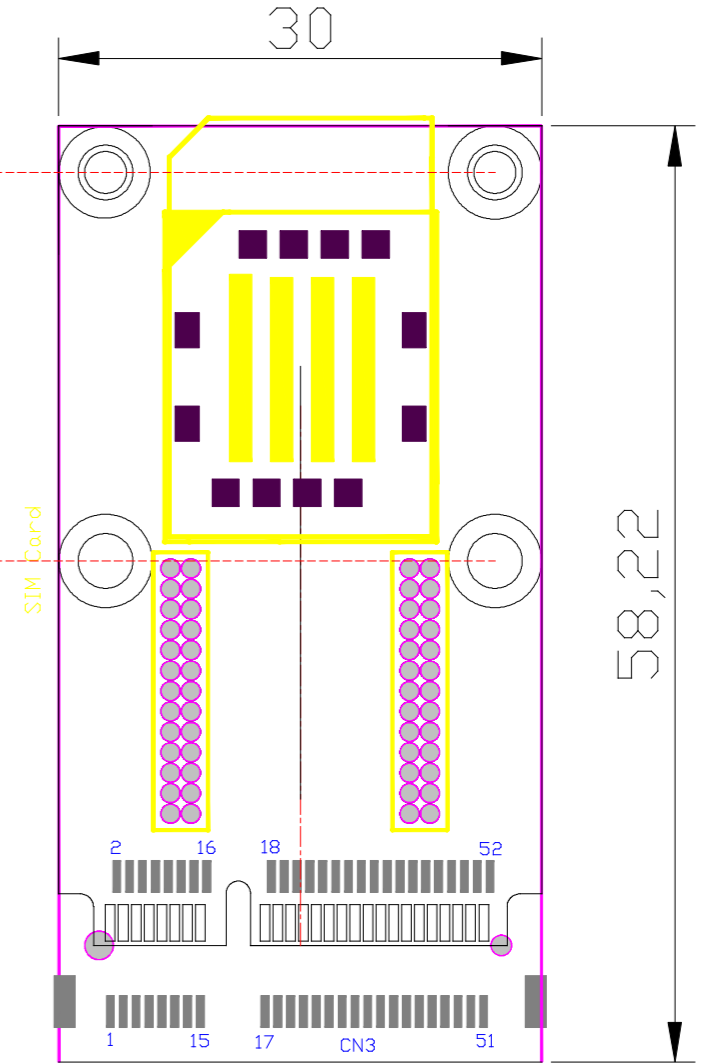
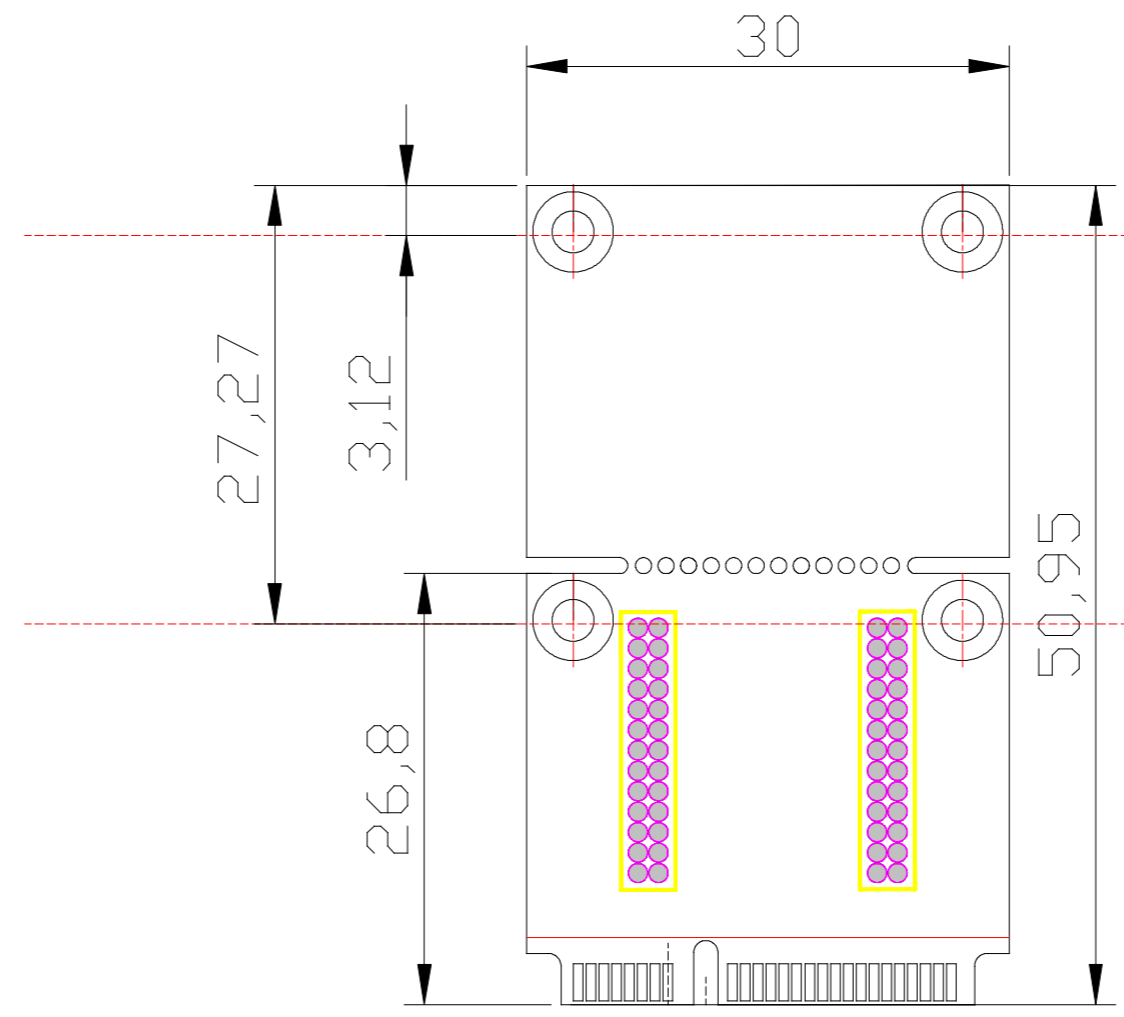
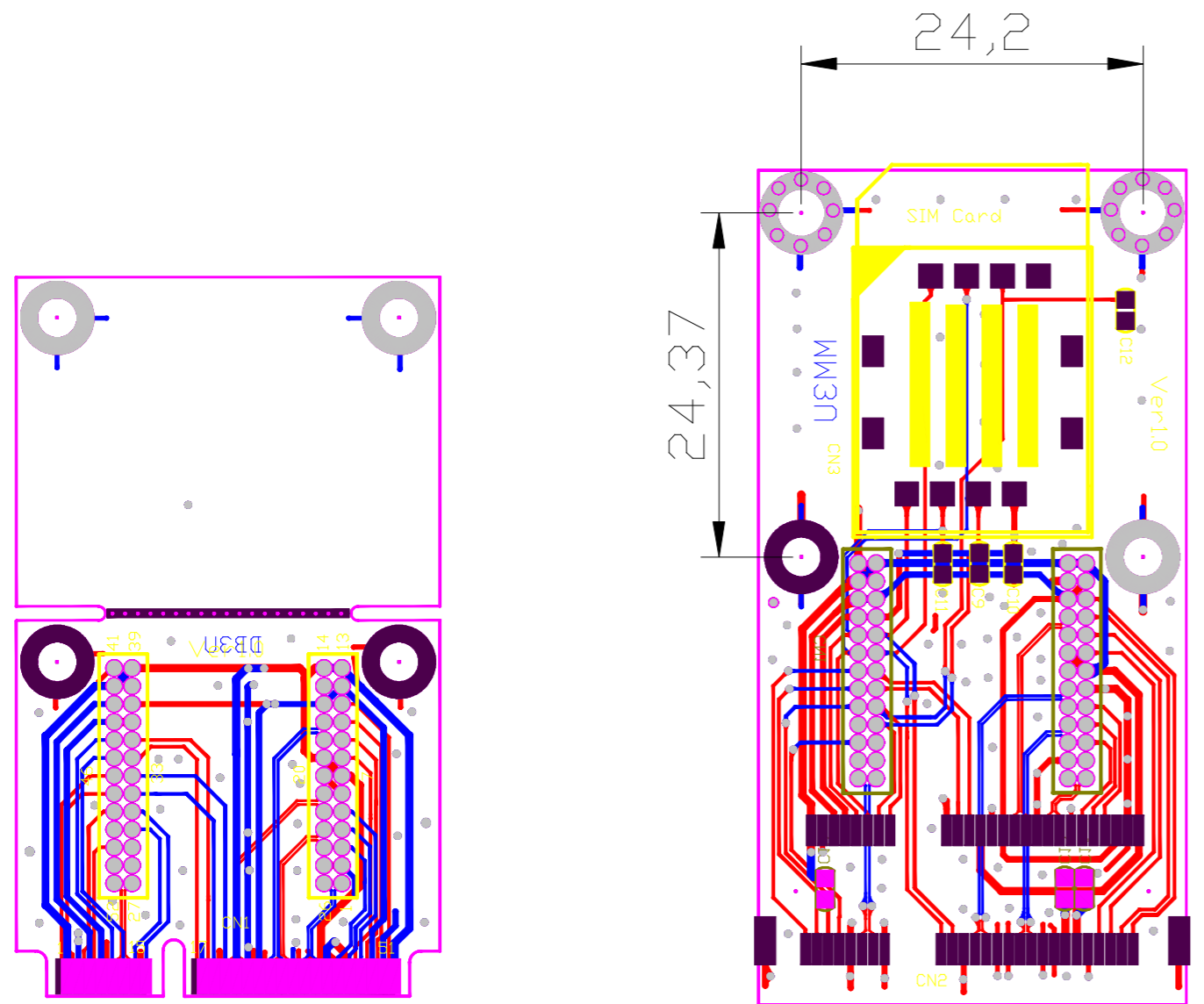


PROPRIETARY AND CONFIDENTIAL
 THE INFORMATION CONTAINED IN THIS DRAWING IS THE SOLE PROPERTY OF BPLUS TECHNOLOGY CO., LTD. ANY REPRODUCTION IN PART OR AS A WHOLE WITHOUT THE WRITTEN PERMISSION OF BPLUS TECHNOLOGY CO., LTD. IS PROHIBITED



APPROVED:	- TOLERANCES -		UNIT: mm	TITLE : Full to Half minicard adapter	SHEET 1/1
ENGINEER:	General	Angles	SCALE: 1:1	DRAWING NUMBER: MM3U-DB3U dimension	SIZE A4
CHECKED:	30~ ±0.25	0° ±3°		Date 2012/Feb/08th	REV. A/0
DRAWN: Gerry Chen	10~30 ±0.20	0.0° ±2°		 Professional I/O adapter provider Bplus Technology Co., Ltd.	BPLUS TECH
	5~10 ±0.15				
	0~5 ±0.10				