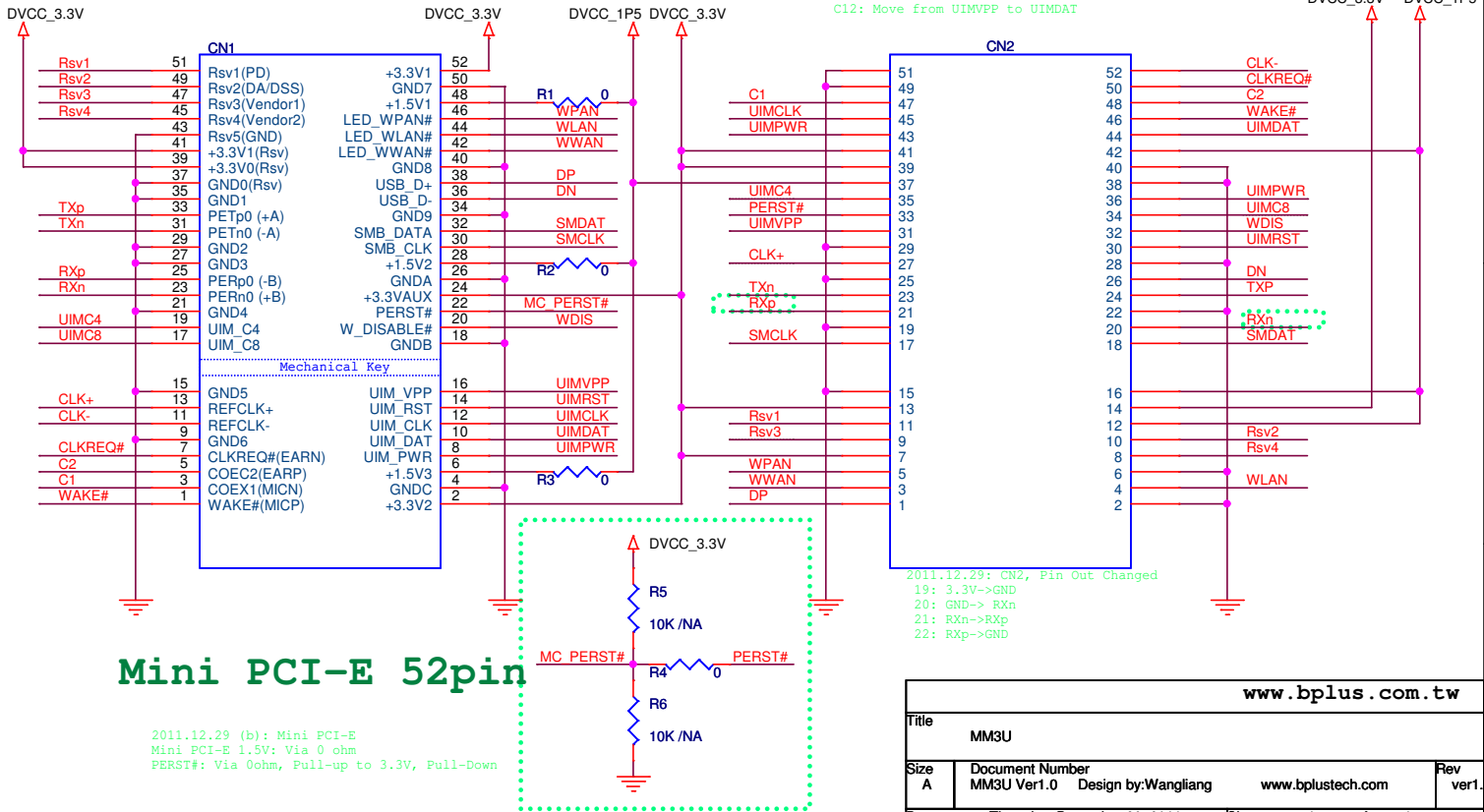
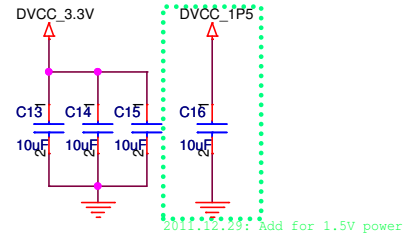
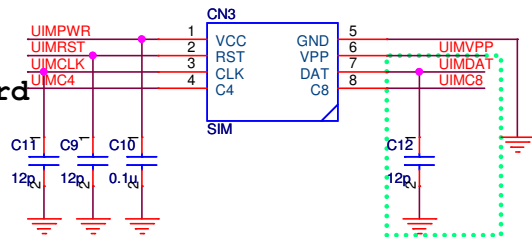


Module Name: MM3U
Product Name: Half mini card
to full mini card

Release History:

Date	version	Description
20121228	Ver1.0	First Release
20121229		Updated



www.bplus.com.tw			
Title MM3U			
Size A	Document Number MM3U Ver1.0	Design by: Wangliang	www.bplustech.com
Date: Thursday, December 29, 2011	Sheet 1	of 1	Rev ver1.0