

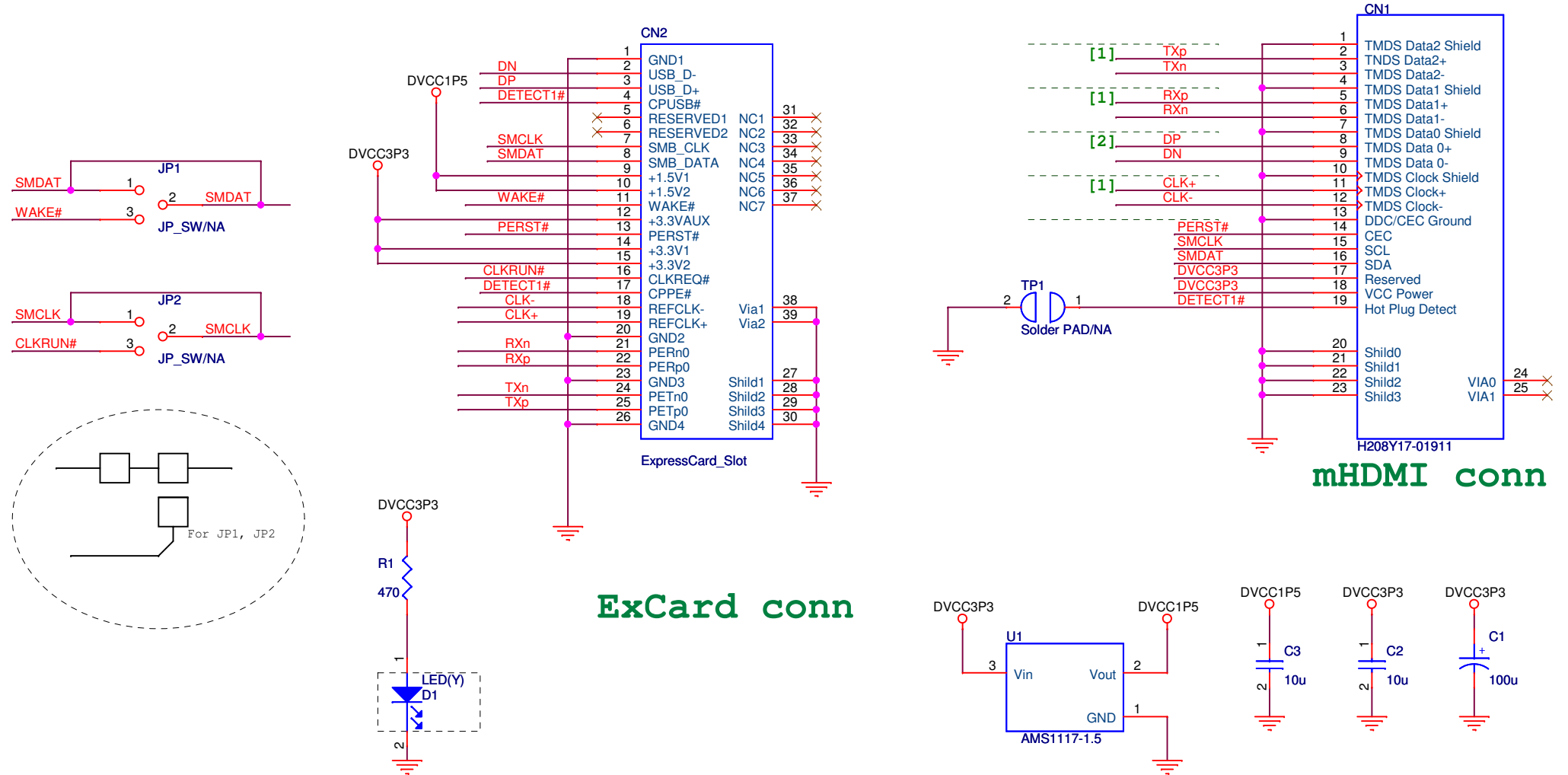
ExpressCard Reader Ver1.0

Model:MR13

History: Ver1.0 first release.....2009Sep13

[1] Impedance control required for CLK+ CLK- PETXP PETXN PERXP PERXN : 100ohm

[2] Impedance control required for DP DN : 90ohm



ExCard conn

mHDMI conn

Title		ExpressCard Reader Ver1.00		Design by:Gerry Chen	
Size	A4	Document Number	ExCard Reader	www.hwtools.net	Rev
Date:	Monday, September 14, 2009	Sheet	1	of	1