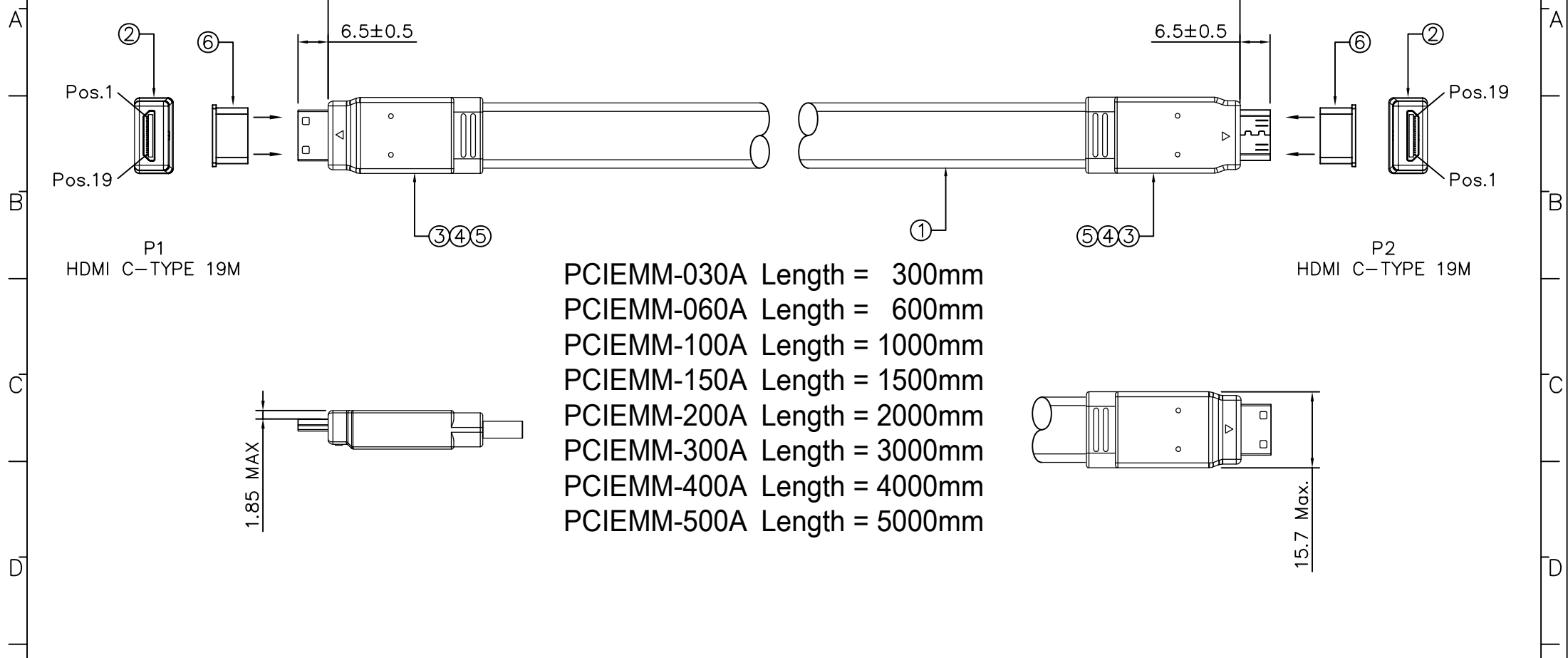


MATERIAL MUST BE ACCORD WITH RoHS STANDARD

版本 REV.	变更内容 DESCRIPTION	变更号 ECN No.	日期 DATE
1.0	ISSUE	REL	2011-04-11



- PCIEMM-030A Length = 300mm
- PCIEMM-060A Length = 600mm
- PCIEMM-100A Length = 1000mm
- PCIEMM-150A Length = 1500mm
- PCIEMM-200A Length = 2000mm
- PCIEMM-300A Length = 3000mm
- PCIEMM-400A Length = 4000mm
- PCIEMM-500A Length = 5000mm

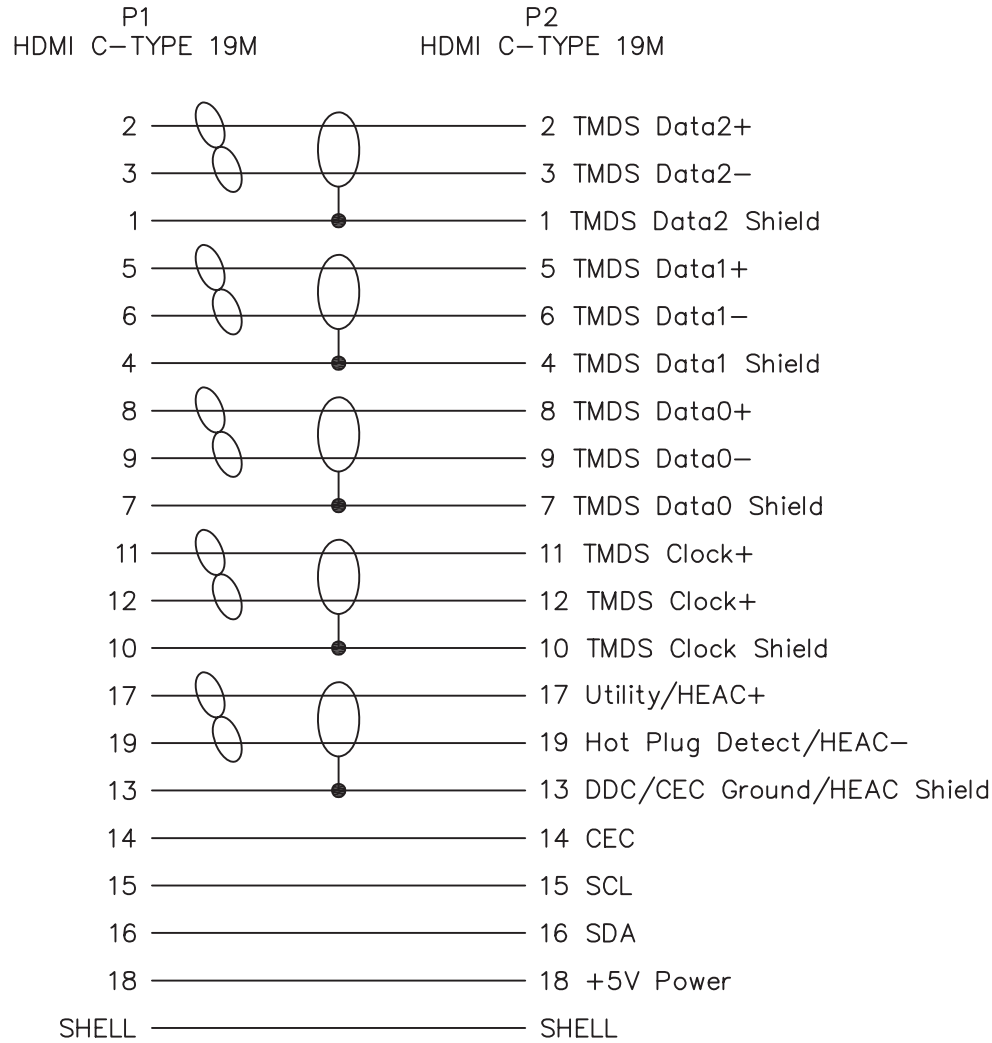
Bplus Technology Co., Ltd.							
TITLE: HDMI C-TYPE 19M TO HDMI C-TYPE 19M CABLE						DWG NO.: SYQ0002-0006-F	
						CUSTOMER NO.: YQ	
						CUSTOMER P/N: PCIEMM CABLE	
		SCALE NONE	UNIT mm	CUS REV. 1.0	HY REV. 1.0	DATE 2011-04-11	SHEET 1/2
DRAWING/制图		CHECKED/审核			APPROVED/核准		

6	BOARDING CAP		2Pcs
5	OUTER MOLD	PVC 60P,COLOR: BLACK	AR
4	INNER MOLD	LD-PE,COLOR: TRANSPARENT	AR
3	COPPER FOIL	W25 x L100mm	2Pcs
2	CONNECTOR-1	HDMI C-TYPE 19 PIN MALE,SOLDER & MOLEDED TYPE,INSULATOR: BLACK,GOLD FLASH PLATED CONTACT,GOLD FLASH PLATED SHELL	2Pcs
1	CABLE	HDMI FLAT CABLE,(30AWGx1Pr+D+AM)x5C+(30AWGx4C+D+AL)x1C,AB(铝编),PVC JACKET: BLACK,OD=3.5 x 13.5mm (100 \pm 15 Ω)	1Pcs
No.	PART NO.	DESCRIPTION	Q'TY

MATERIAL MUST BE ACCORD WITH RoHS STANDARD

版本 REV.	变更内容 DESCRIPTION	变更号 ECN No.	日期 DATE
1.0	ISSUE	REL	2011-04-11

PIN_OUT




NOTE

- 1.100% OPEN/SHORT TEST.
- 2.CONDUCT RESISTANCE, $2\ \Omega$ (MAX),DC300V INSULATION RESISTANCE, $10M\ \Omega$ (MIN).
- 3.DIMSION MARK "▼" BY QC CHECK.

Bplus Technology Co., Ltd.

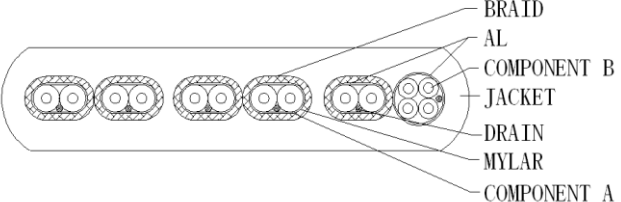
TITLE: HDMI C-TYPE 19M TO HDMI C-TYPE 19M CABLE		DWG NO.: SYQ0002-0006-F	
		CUSTOMER NO.: YQ	
		CUSTOMER P/N: PCIEMM CABLE	
	SCALE NONE	UNIT mm	CUS REV. 1.0
		HY REV. 1.0	DATE 2011-04-11
			SHEET 2/2
DRAWING/制图		CHECKED/审核	
		APPROVED/核准	

Specification:(1/0.254B*1P+D+AL+MYLAR+B)*5C+(1/0.254Bx4C+D+AL)

Component		COMPONENT A	COMPONENT B
Conductor	Constitution AWG/mm	1/0.254 (30AWG)	1/0.254 (30AWG)
	Material	BARE COPPER WIRE	BARE COPPER WIRE
	Cabling OD mm	0.254(REF)	0.254(REF)
Insulation	NO of wire	5P	4C
	Material	FOAM-PE+SKIN	HD-PE
	OD mm	0.70 ±0.05	0.50 ±0.05
	Thickness mm	0.23(REF)	0.12(REF)
Color	1.WHITE&RED 2.WHITE&RED 3.WHITE&RED 4.WHITE&RED 5.WHITE&RED	6.RED 7.YELLOW 8.WHITE 9.PURPLE	
Shield	Drain	7/0.10 (30AWG)	7/0.10 (30AWG)
	Material	TINNED COPPER STRANDED	TINNED COPPER STRANDED
	AL/MYLAR	AL.FACE INSIDE	AL.FACE INSIDE
	Hot Melt Mylar	Transparent Mylar	/
	Constitution N/mm	16/4/0.12	/
	Material	ALUMINIUM MAGNESIUM ALLOY	/
	Coverage %	85%	/
Jacket	Material	PVC	
	OD mm	(3.8±0.20)x(13.7±0.35)	
	Thickness mm	0.6(REF)	
	Marking	HIGH SPEED HDMI® CABLE WITH ETHERNET E301195  AWM STYLE 20276 80°C 30V VW-1 PAK HENG	
	Hardness A	SHORE.A 80±3	
	Color	BLACK	

UL (Style) UL20276

Electric Characters:	Physical Characters:
1. Voltage rating: 30V 2. Temperature rating: 80°C 3. Spark test:AC- 1500V/In the air 4. Dielectric strength: AC-500V/1 sec MIN 5. Insulation resistance: FOAM-PE/HD-PE DC-500V 100MΩ.KM MIN.at 20°C 6. Conductor resistance: 30AWG-376Ω/KM MAX at 20°C	1. Tensile strength test are before aging:JACKET:1500PSI min Aged:70% min 2. Elongation before aging:JACKET:100% min Aged:65% min

Diagram:	CUSTOMER'S SIGN:	
		FULL APPROVED
		REJECTED
	CUSTOMER'S SIGN	
	NOTE	
	APPROVE:	PART NO:
	AUDITING:	EDITION:H0141145
	DRAWING:Zhou	DATE:2010/11/18

版次: 01

PHQ4-EN-01-05