

Model Name: PE2L

Product Name: PCIe to Expersscard adapter

Reference Schematic Rev. 1.10

Schematic update note:

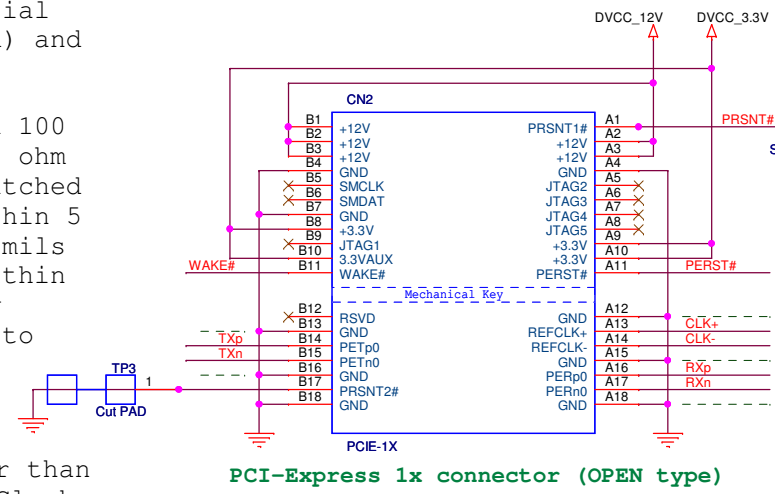
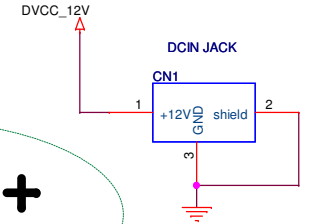
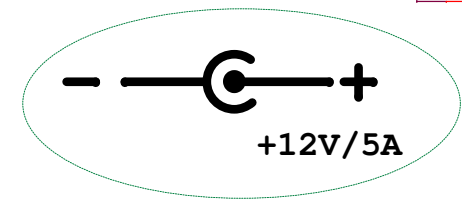
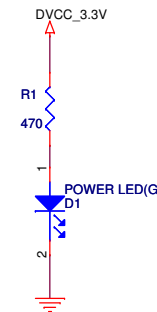
First released.....2009/June/20 V1.10

PCB Layout Guideline

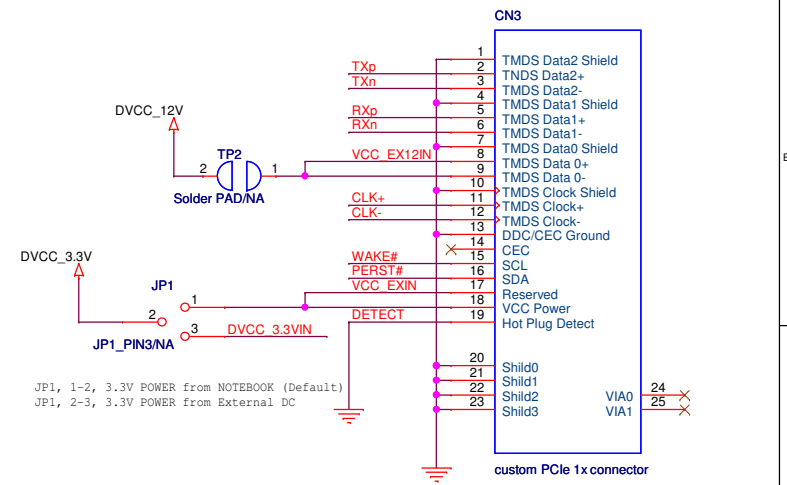
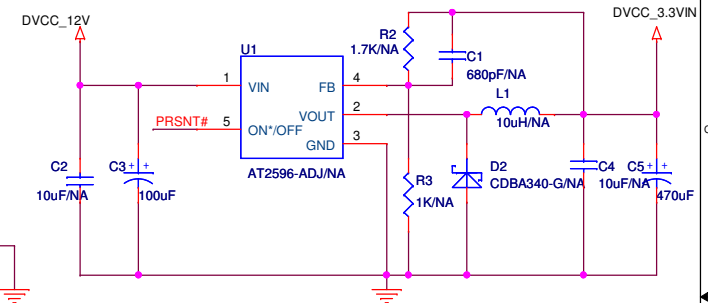
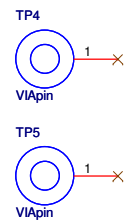
RXp and RXn are a 100 ohm differential impedance pair (50 ohm single ended) and must be length matched with 5 mils.

(CTXn + TXn) and (CTXp + TXp) are a 100 ohm differential impedance pair (50 ohm single ended) and must be length matched with 5 mils. i.e. CTXp must be within 5 mils of CTXn, TXp must be within 5 mils of TXn, and (CTXp + TXp) must be within 5 mils of (CTXn + TXn). The coupling capacitors must be placed as close to the PCI Express Edge connector as possible.

PCI Clocks should be slightly longer than the longest trace on the PCI bus. Clocks should be length matched to each other within 10 mils. The PCI_FBCLK trace must be 2.5 inches (2500 mils) longer than the length of the other clock signals (this is for the total trace length which is the sum of the net between U1.P3 and C111 and the the net from C111 to U1.B10).



PCI-Express 1x connector (OPEN type)



JP1, 1-2, 3.3V POWER from NOTEBOOK (Default)
 JP1, 2-3, 3.3V POWER from External DC

www.HWTOOLS.net			
Title	PE2H PCIe to expresscard adapter		design by: Baber
Size	Document Number	Bplus Technology Co., Ltd.	Rev 1.10
Date:	Thursday, July 23, 2009	Sheet	1 of 1