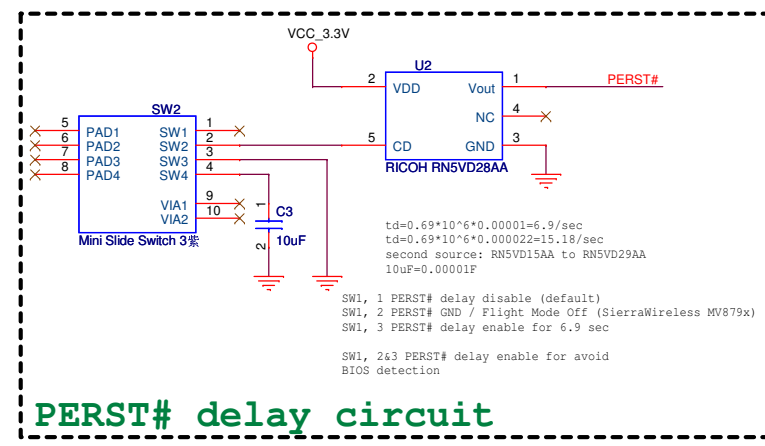
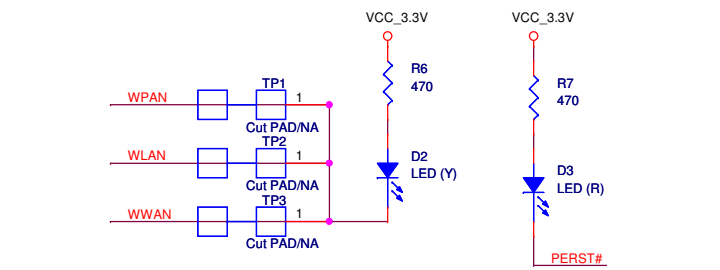
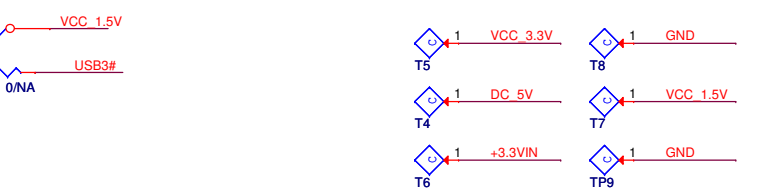
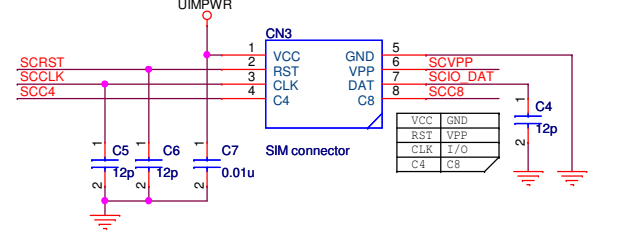
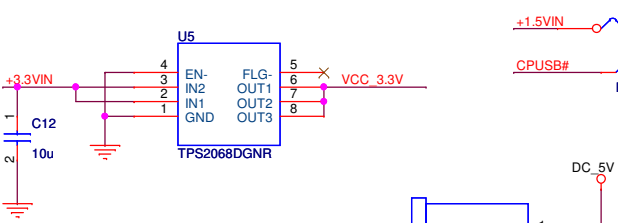
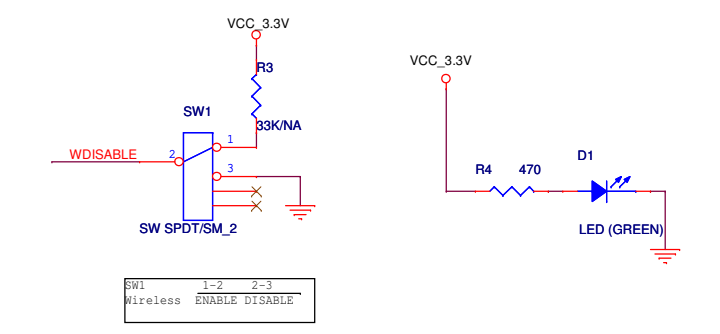
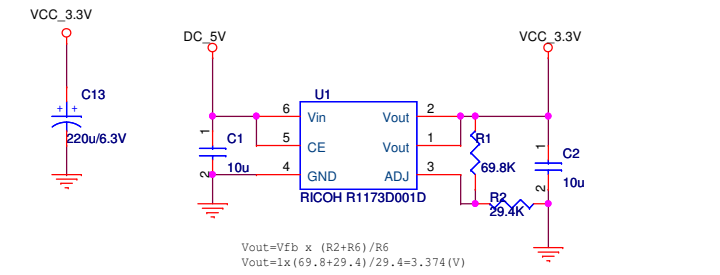
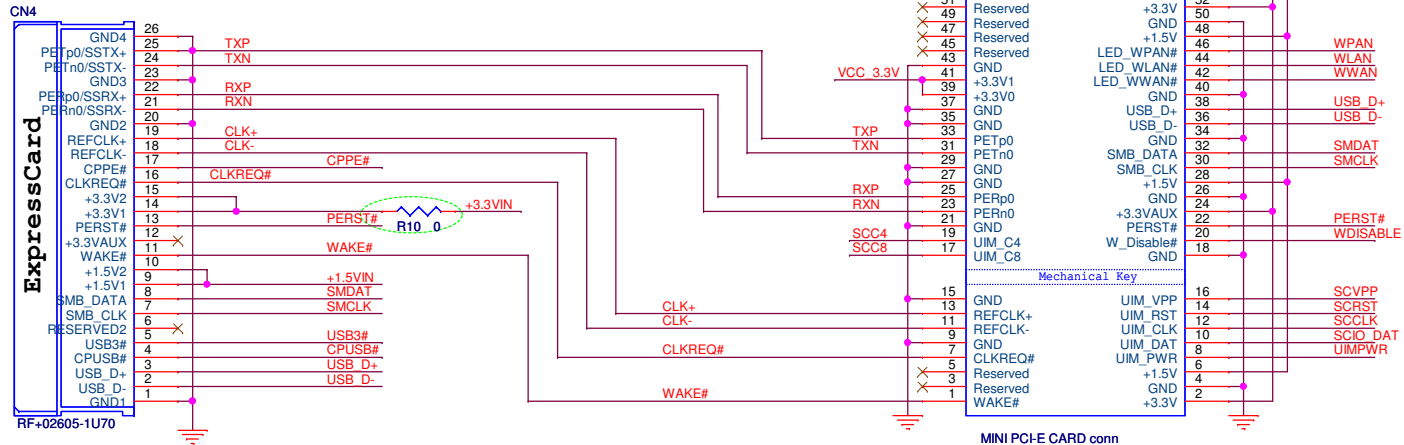


Project: mini PCIE CARD to Express Card

Model: PE3B Ver1.2



www.bplus.com.tw		Design by: Teddy Lai	
Title: mini PCIE CARD to Express Card			
Size B	Document Number PE3B	Rev V1.2	
Date: Tuesday, June 28, 2011	Sheet 1	of 1	