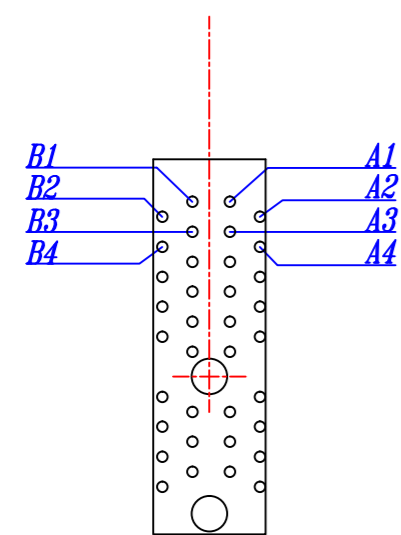
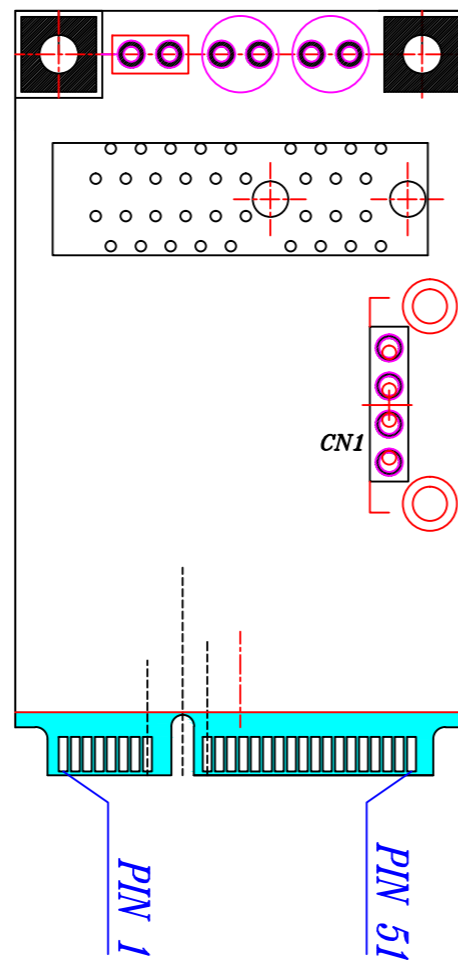


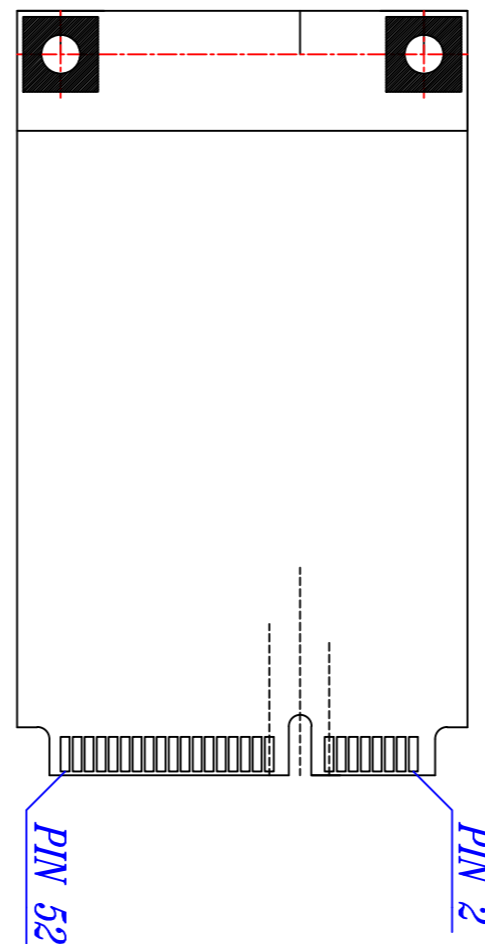
PROPRIETARY AND CONFIDENTIAL
 THE INFORMATION CONTAINED IN THIS DRAWING IS THE SOLE PROPERTY OF AENEAS ELECTRONICS CO., LTD. ANY REPRODUCTION IN PART OR AS A WHOLE WITHOUT THE WRITTEN PERMISSION OF AENEAS ELECTRONICS CO., LTD. IS PROHIBITED



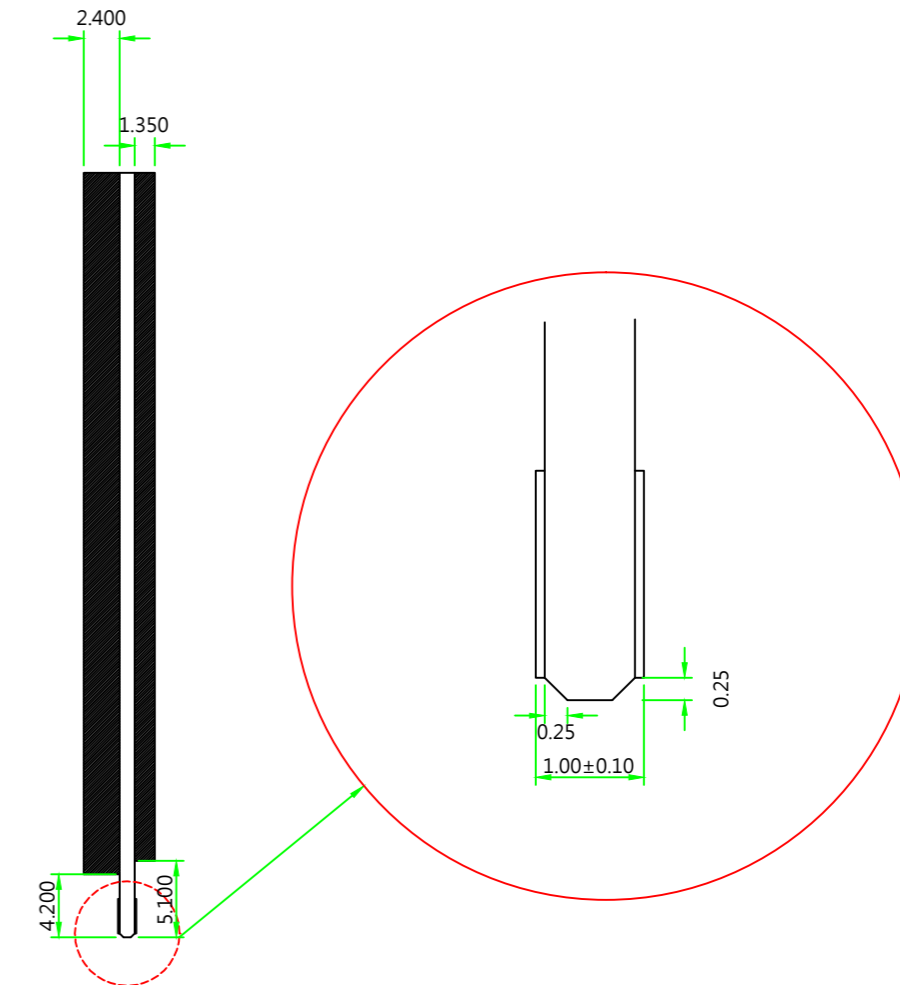
*PCI-E 1X Slot
 Top Side 正面*



*Mini PCI-E Card
 Top Side 正面*



*Mini PCI-E Card
 Bottom Side 背面*



*Mini PCI-E Card
 Flank Side 側面*

2 Layer Daughter board PCB thinkless MAX 1.0 mm

APPROVED:	- TOLERANCES -		UNIT: mm	TITLE : Mini PCI-E to PCI-E 1X	SHEET 1/1
ENGINEER:	General	Angles	SCALE: 1:1	DRAWING NUMBER: A-G-804-PCBL	SIZE A4
CHECKED:	30~ ±0.25	0° ±3°		Date: 2008/May/06th	REV. A/0
DRAWN: Allen Ye	10~30 ±0.20	0.0° ±2°			
	5~10 ±0.15				
	0~5 ±0.10				