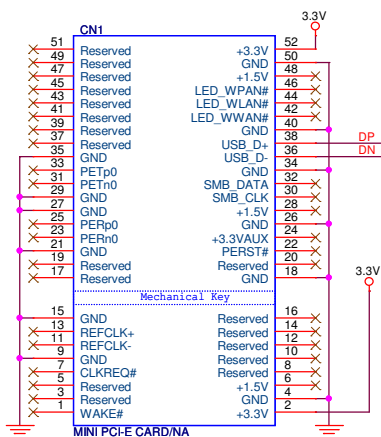
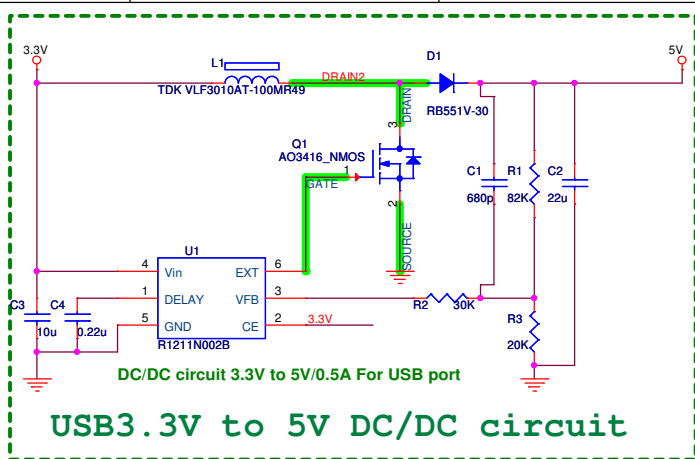


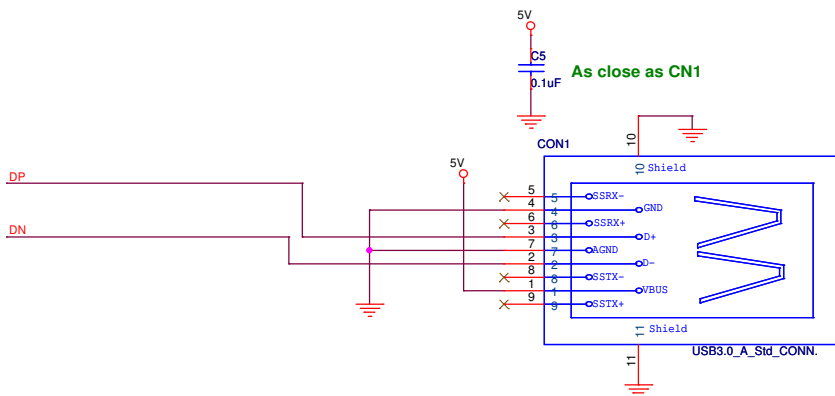
Model Name: PM3U
Product Name: USB2.0 to mPCIe adapter
Ver 1.0

Revision History

Date	Version	Description
2011 Aug 15	1.0	First Release



Mini PCI-E Card



Title		
PM3U		
Size	Document Number	Rev
A4	<Doc>	1.0
Date:	Monday, October 17, 2011	Sheet 1 of 1