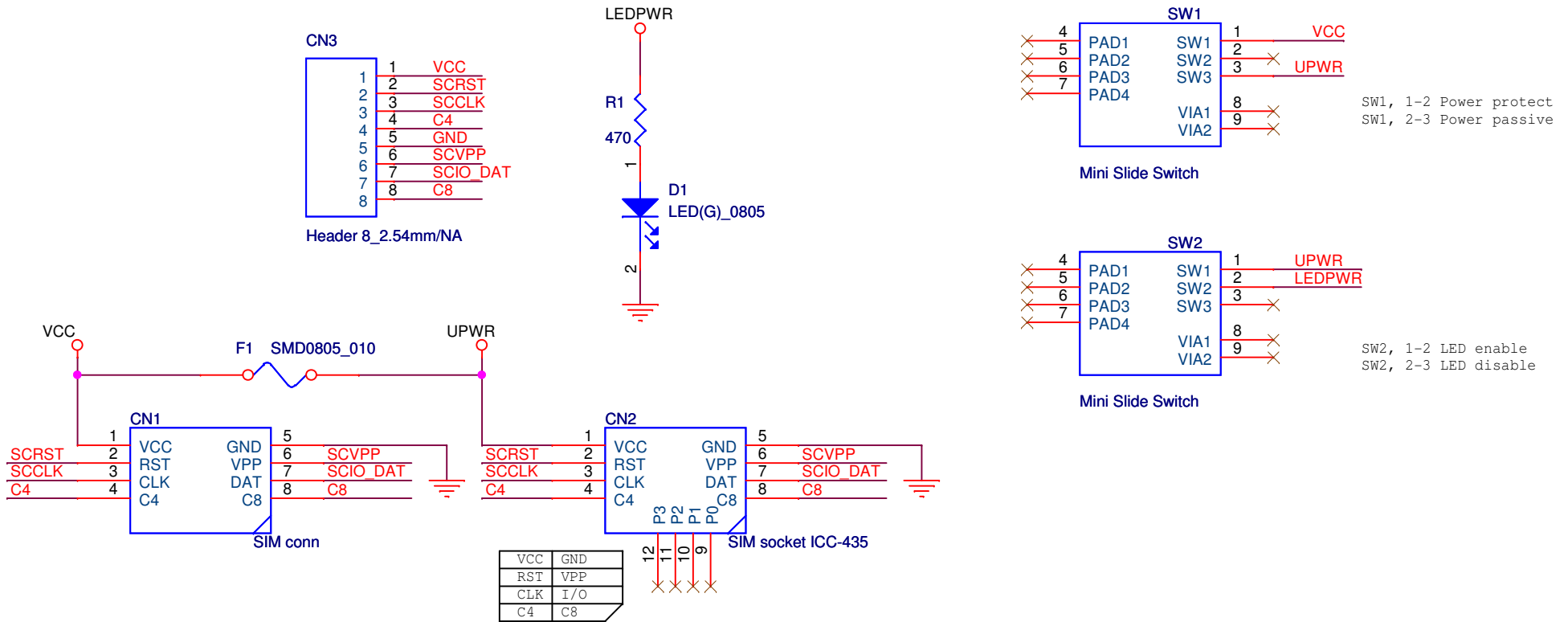


# SIM Card Extender ver 1.0

## Model: S4EX

[1] Impedance control required for DP DN : 90ohm



Title		SIM card Extender		Design by:Gerry Chen	
Size	Document Number				Rev
A	S4EX				1.0
Date:	Monday, August 30, 2010	Sheet	1	of	1