

# SDCBA-C01 (SDHC/SD/MMC to CardBus PC Card High Speed Adapter)

Proudly presents you a perfect solution for accessing the SDHC (Secure Digital High Capacity) / SD (Secure Digital) / MMC (MultiMediaCard) via 32-bit CardBus interface with a higher speed.

This adapter supports converting SD, SDHC, miniSD (with adapter), microSD (with adapter), microSDHC (with adapter), MMC, RS-MMC (with adapter), MMC Plus, and MMC Mobile (with Adapter) to Type II CardBus PC Card. A Push-Push socket is equipped for easy insertion/extraction of supported cards.

SDCBA-C01 is also compliant with SDIO specification, which allows you to use SDIO card with all kinds of applications on your computer.

SDCBA-C01 is a very convenient and high speed SDHC/SD/MMC card adapter/reader for any computer equipped with 32-bit CardBus socket. If you are tired of using the card reader with a slow speed, you should absolutely try SDCBA-C01.



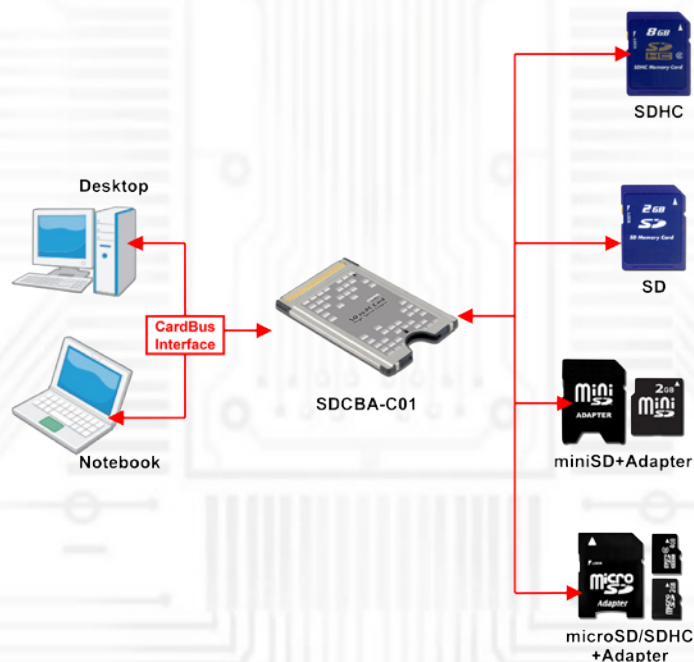
## Features:

- ◆ Compliant with 32-bit CardBus Type II PC Card interface (JEIDA 4.2).
- ◆ Compliant with SD Memory Card Specification 2.0.
- ◆ Compliant with SDIO Specification 1.1.
- ◆ Compliant with SD Host Controller Standard Specification 1.0.
- ◆ Supports MMC Plus and MMC Mobile (with adapter.).
- ◆ Low power consumption, 3.3V single power operation.
- ◆ Supports Hardware Suspend.
- ◆ Maximum frequency reaches 33MHz.
- ◆ Supports SDHC / High Speed SD Clock (50MHz)
- ◆ Supports all kinds of SDIO Card Applications.
- ◆ Compliant with MultiMediaCard Specification 4.1.
- ◆ Push-Push card slot for easy insertion/extraction of card.
- ◆ Software Suspend mode compliant with ACPI.

## Specifications

- ◆ **Input Socket** SDHC / SD (SD Specification 2.0)  
SDIO (SDIO Specification 1.1)  
MMC (MMC Specification 4.1)
- ◆ **Output Interface** 32-bit CardBus Type II PC Card
- ◆ **Supporting Card** SDHC 4GB  
SD 8MB~2GB  
miniSD 8MB~2GB (Adapter Required)  
microSDHC 4GB~ (Adapter Required)  
microSD 8MB~2GB (Adapter Required)  
MMC / MMC Plus All Capacities  
RS-MMC / MMC Mobile All Capacities
- ◆ **Supporting OS** Windows XP / VISTA
- ◆ **Safety Approval** CE / FCC
- ◆ **Dimensions** 85.0 mm(L)\* 54.0 mm(W)\* 5.0 mm(H)

## Application Diagram



As a New manufacturer of quality computer connectivity products since 2009/Mar, BPLUS technology brings to market a broad range of upgrade products. These products bridge the connection between Desktop/Notebook systems and external peripherals.



Address: 5F, NO. 63, ZHOU-TZYY  
ST., NEI-HU, TAIPEI, TAIWAN, R.O.C  
Tel: 886-2-77210550 Fax: 886-2-87974200  
Email: sales@hwtools.net  
Web: http://www.HWtools.net