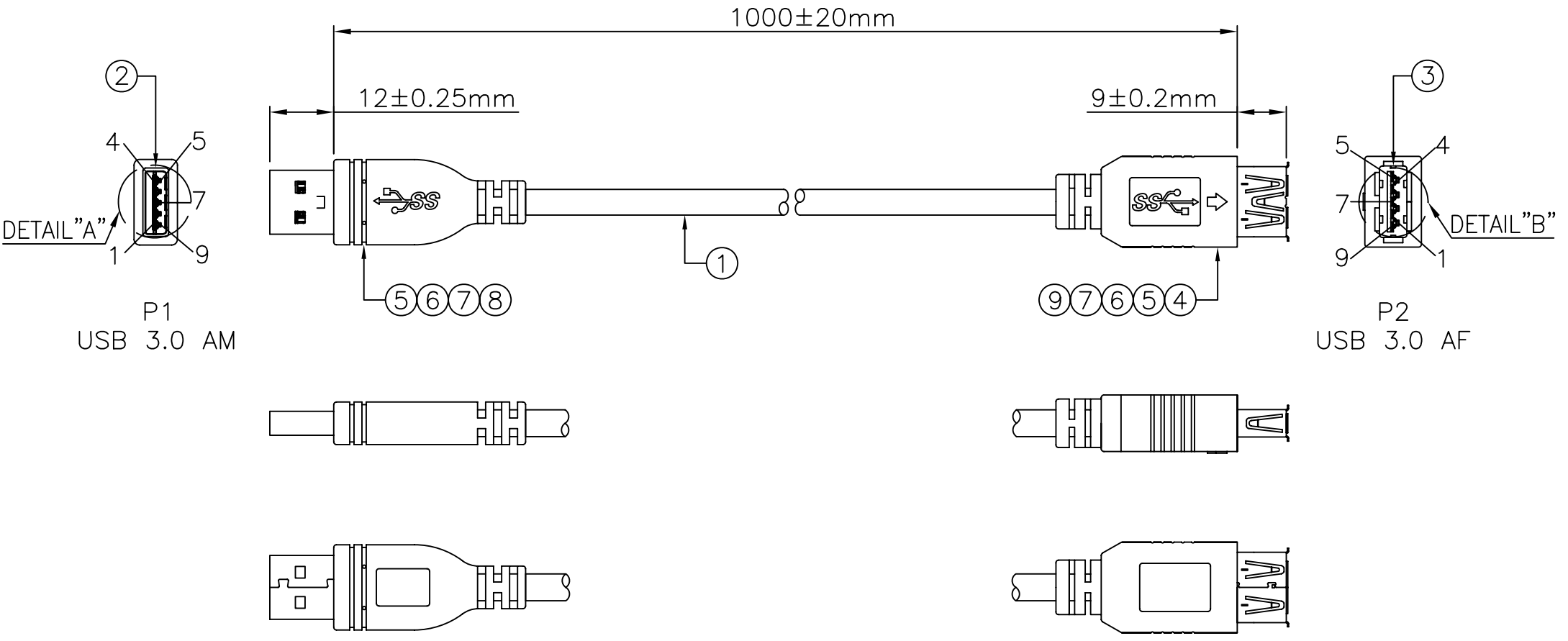


REV	DESCRIPTION	DATE
P1	ISSUE	05/05/09



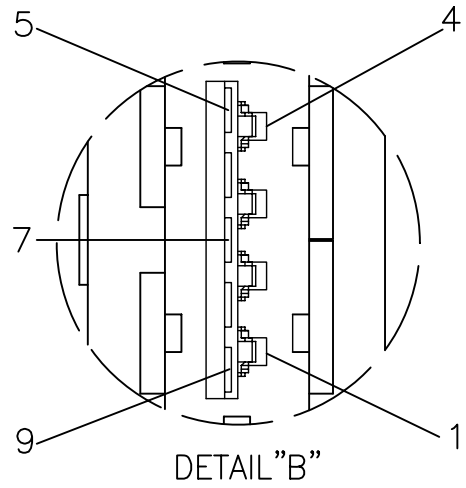
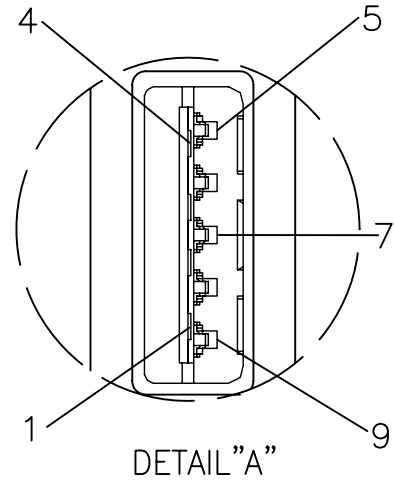
P1  
USB 3.0 AM

P2  
USB 3.0 AF

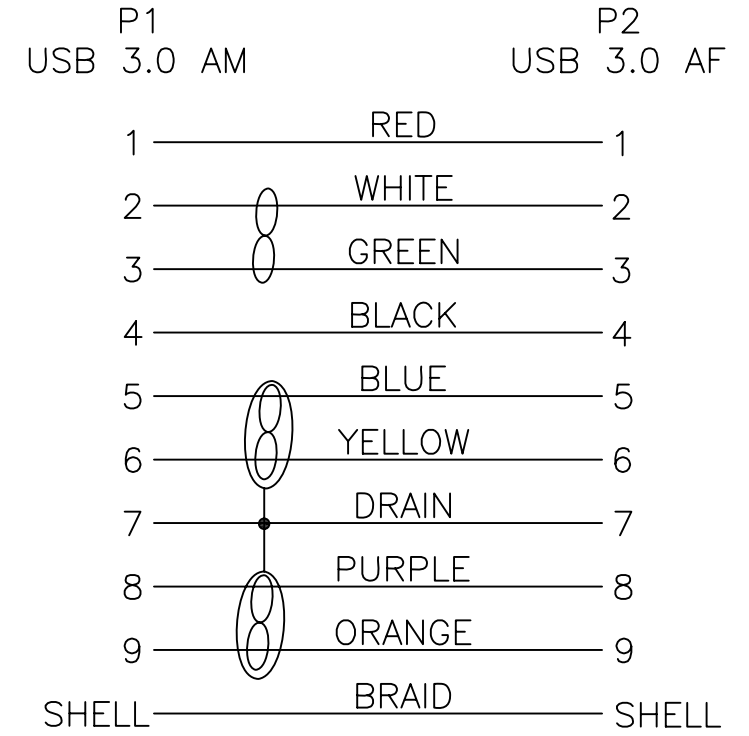
NOTE  
 1.CONTINUITY TESTING  
 INSULATION RESISTANCE,20MΩ (MIN);  
 CONDUCT RESISTANCE,1.5Ω (MAX).  
 2.TOOLING FOR USB 3.0 AM,SM2-USBA-021,  
 TOOLING FOR USB 3.0 AF,SM2-USBF-E01.  
 3.ALL MATERIALS ARE RoHS COMPLIANT.

		UNIT: mm	TITLE (Aeneas)	
SCALE		NONE	USB 3.0 AM-AF CABLE L=1.0M	
UNLESS OTHERWISE SPECIFIED TOLERANCES:		P/N:	REV.	DR.
x	±x	xx	±xx	CH.
xxx	±xxx	ANGLE	±	
REV.	SHEET	DWG.NO:	AP.	
P1	1/2			

REV	DESCRIPTION	DATE
P1	ISSUE	05/05/09

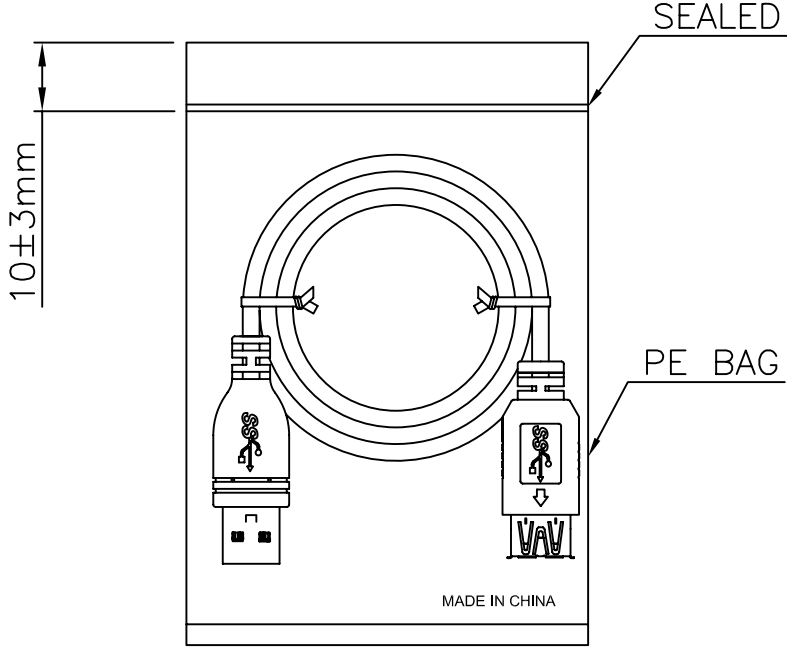
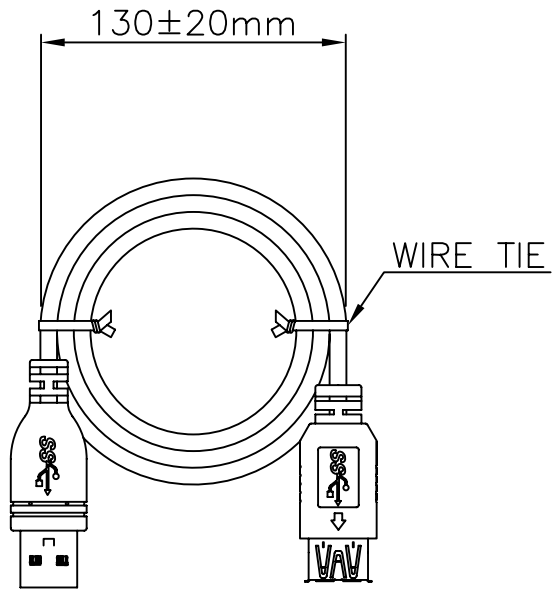


PIN OUT



		UNIT: mm	TITLE (Aeneas)		
SCALE		NONE	USB 3.0 AM-AF CABLE L=1.0M		
UNLESS OTHERWISE SPECIFIED TOLERANCES:			P/N:	REV. DR.	
x	± <u>  </u>	xx	± <u>  </u>	A	CH.
xxx	± <u>  </u>	ANGLE	± <u>  </u>		
REV.	SHEET	DWG.NO:	AP.		
P1	2/2				

REV	DESCRIPTION	DATE
P1	ISSUE	05/05/09



		UNIT: mm	TITLE (Aeneas)	
SCALE		NONE	USB 3.0 AM-AF CABLE PACKING SPEC.	
UNLESS OTHERWISE SPECIFIED TOLERANCES:			P/N:	REV. DR.
x ±x xx ±xx			USB 3.0 CABLE	A CH.
xxx ±xxx ANGLE ±				
REV.	SHEET	DWG.NO:	AP.	
P1	1/1			

ITEM	PART	DESCRIPTION	Q'TY
2	WIRE TIE	BLUE,3.7x100mm.	2PCS
1	PE BAG	6"x9"x0.06mm.	1PC

BILL OF MATERIAL

