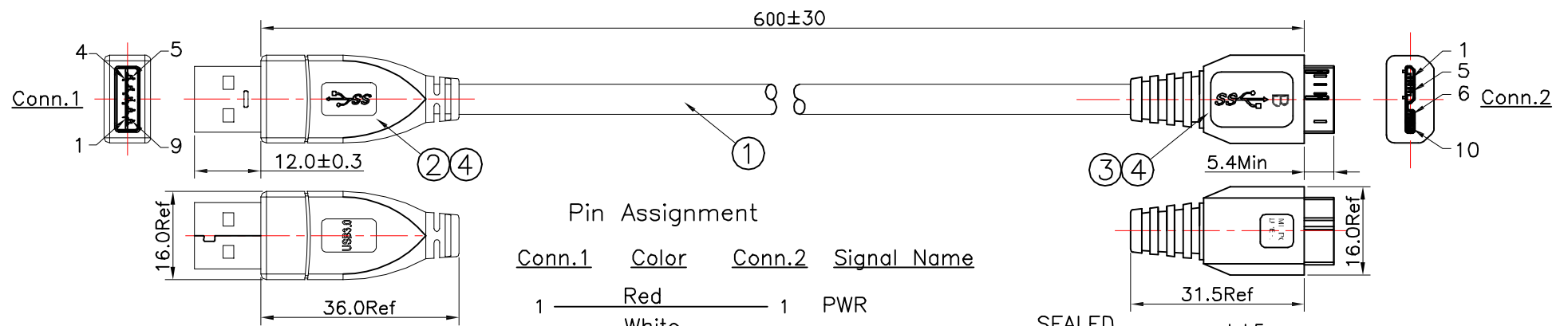
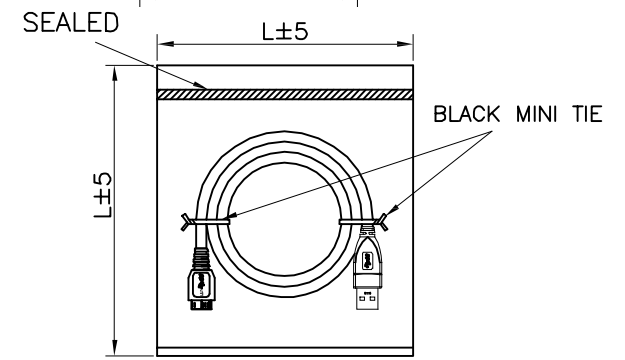
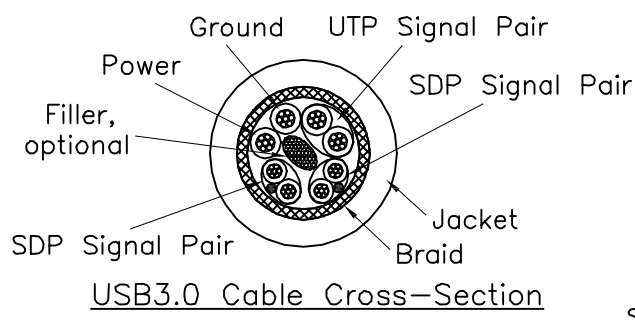


| REVISION |                  |           |          |
|----------|------------------|-----------|----------|
| REV.     | DESCRIPTION      | APPROVAL  | DATE     |
| A        | FIRST TIME ISSUE | CUIMANMAN | 09.09.12 |



Pin Assignment

| Conn.1 | Color      | Conn.2 | Signal Name |
|--------|------------|--------|-------------|
| 1      | Red        | 1      | PWR         |
| 2      | White      | 2      | UTP_D-      |
| 3      | Green      | 3      | UTP_D+      |
| 4      | Black      | 5      | GND_PWRrt   |
| 5      | Blue       | 6      | SDP1-       |
| 6      | Yellow     | 7      | SDP1+       |
| 7      | Drain Wire | 8      | SDP1_Drain  |
| 7      | Drain Wire | 8      | SDP2_Drain  |
| 8      | Purple     | 9      | SDP2-       |
| 9      | Orange     | 10     | SDP2+       |
| Shell  | Braid      | Shell  | Shield      |



NOTES: 1PCS/PE BAG/PACKING(T:0.06MM)

1. THIS COMPONENT AND ITS HOMOGENEOUS SUBCOMPONENTS ARE ROHS COMPLIANT.

2. ELECTRONIC TEST :  
100% OPEN SHORT & MISWIRE TEST.  
CONTACT RESISTANCE:5Ω/MAX.  
INSULATION RESISTANCE:10MΩ/MIN.AT DC 300V.

| ITEM | NAME  | DESCRIPTION   | Q'TY |
|------|-------|---|------|
| ④    | PVC   | MOLDED 45 PVC BLUE(S603)  | 2PCS |
| ③    | CONN  | USB3.0 MICRO-B MALE,SOLDER TYPE,INSULATOR BLUE,CONTACT GOLD PLATED 30U", SPCC SHELL NICKEL PLATED | 1PCS |
| ②    | CONN  | USB 3.0 A MALE,SOLDER TYPE,INSULATOR BLUE,CONTACT GOLD PLATED 30U", SPCC SHELL NICKEL PLATED      | 1PCS |
| ①    | CABLE | 28AWG*2C+28AWG/1P+AL+F+Braid(144/0.10TC)<br>PVC JACKET:BLUE O.D:5.5±0.1mm.                        | 1PCS |

|                        |  |
|------------------------|--|
| mm                     | TITLE  |
| SCALE NONE             | USB3.0 A/M+USB3.0 MICRO-B/M<br>BLUE CABLE L=60cm |
| SHEET 1/1              | CUS. P/N   |
| UNLESS OTHERWISE NOTED |  |
| .X ±                   | .XX ±  |
| .XXX ±                 | ANGLES ±   |
| REV. A                 | CUS. REV   |
| DRAW NO.               |  |

|          |      |
|----------|------|
| ENG      | DATE |
| CHECKED  | DATE |
| APPROVED | DATE |